

# **SAND FILTERS**

OWNER'S MANUAL AND INSTALLATION GUIDE

# **FILTRES À SABLES**

MANUEL DU PROPRIÉTAIRE ET GUIDE D'INSTALLATION

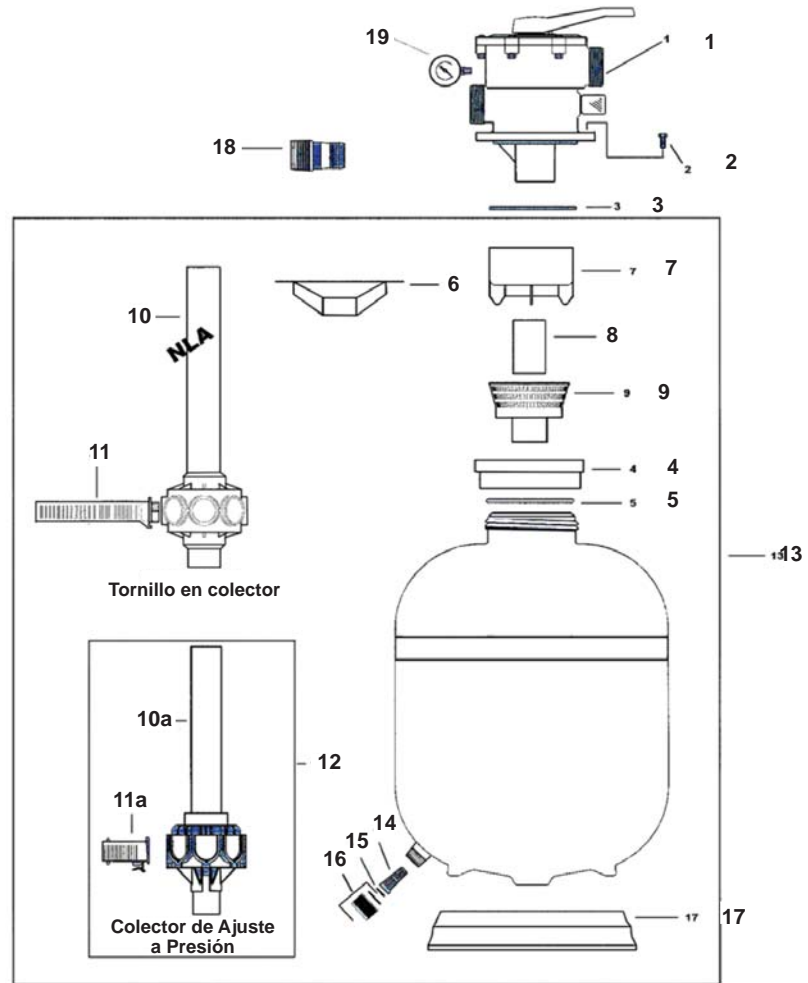
# **FILTROS DE ARENA**

MANUAL DEL PROPIETARIO Y GUÍA DE INSTALCIÓN



**PARTES PARA MODELOS LASER 160L, 190L, 192L, 225L Y 250L**

FIG. NO.	PORTE NO.	DESCRIPCIÓN
1	39-2582-07-R	Válvula cuadrante de 4 vías (incluye #2, 3, 19)
	39-2588-00-R	Válvula cuadrante de 6 vías (incluye #2, 3, 19)
	39-2628-03-R	Válvula DVK-7 (incluye #2, 3, 19)
2	14-0743-06-R6	Tornillo de Tapa Hexagonal de 5/16" – 18" x 1" (Paquete de 6)
3	13-0378-09-R	Empaquetadura
4	85-8133-00-R	Brida de Adaptador de Tanque Laser
5	47-0434-01-R	Junta Tórica 5-5/8" x 6-1/8" -BN (Efectivo desde 29/04/92)
6	22-3639-07-R	Tubo de Rebose 9869
7	43-0715-05-R	Desviador 011175 (Efectivo desde 01/11/90)
8	31-0113-64-R	Tubería Superior de 1-1/2" x 4-1/2" PVC 160 (Efectivo desde 01/11/90)
9	88-1580-01-R	Cesto del Filtro (Efectivo desde 01/11/90)
13	9408-0160	Ensamblaje de Tanque Laser 160
	9408-0190	Ensamblaje de Tanque Laser 190
	9408-0192	Ensamblaje de Tanque Laser 192
	9408-0225	Ensamblaje de Tanque Laser 225
	9408-0250	Ensamblaje de Tanque Laser 250
14	85-8533-00-R	Boquilla de Drenaje Laser
15	14-4254-09-R	Retenedor de Boquilla de Drenaje
17	85-8263-00-R	Tapón de Drenaje con/Empaquetadura
	85-8263-00-R20	Tapón de Drenaje con/Empaquetadura (paquete de 20)
17	85-8593-00-R	Adaptador de Base Laser 160, 190, 192, 225, 250.
18	31-1650-04-R	Adaptador de Lavado Inverso Laser 160
	31-1652-02-R	Adaptador de Lavado Inverso Laser 190/192
	31-1653-01-R	Adaptador de Lavado Inverso Laser 225/250
19	9193-4182-R	Medidor de Presión PG 60 0-60#



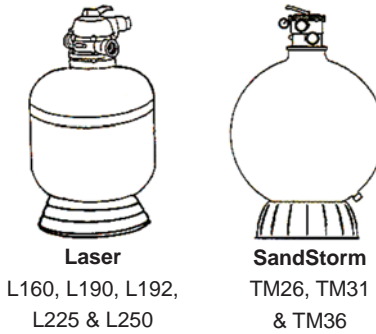
**UNIDADES ANTES DE 01/02/2003**

10 (Ver ítem #12 a continuación)	Ensamblaje de Colector/Tubo Vertical Laser 160.
	Ensamblaje de Colector/Tubo Vertical Laser 190.
	Ensamblaje de Colector/Tubo Vertical Laser 192.
	Ensamblaje de Colector/Tubo Vertical Laser 225.
	Ensamblaje de Colector/Tubo Vertical Laser 250.
11	Equipo Lat. L160 (paquete de 8)
	Equipo Lat. R8 L190/192/225 (paquete de 8)
	Equipo Lat. R8 L250 (paquete de 8)

**UNIDADES POSTERIOR A 01/02/2003**

10	42-3757-09-R	Tubo Vertical/Ensamblaje del Colector L160 Cierre a Presión
	42-3760-04-R	Tubo Vertical/Ensamblaje del Colector L190 Cierre a Presión
	42-3760-50-R	Tubo Vertical/Ensamblaje del Colector L192 Cierre a Presión
	42-3761-03-R	Tubo Vertical/Ensamblaje del Colector L225 Cierre a Presión
	42-3754-02-R	Tubo Vertical/Ensamblaje del Colector L250 Cierre a Presión
11a	85-5311-02-R8	Equipo Lateral L160 -Con Cierre a Presión (Paquete de 8)
	85-5312-03-R8	Equipo Lateral L190/192/225-Cierre a Presión (Paquete de 8)
	85-5313-04-R8	Equipo Lateral L250 -Con Cierre a Presión (Paquete de 8)
12	42-3770-02-K	Ensamblaje inferior L160 con cierre a presión Laterales (se ajusta a los códigos de todas las fechas)
	42-3771-01-K	Ensamblaje inferior 42-3771-01-K L190 con cierre a presión Laterales (se ajusta a los códigos de todas las fechas)
	42-3771-50-K	Ensamblaje inferior 42-3771-50-K L192 con cierre a presión Laterales (se ajusta a los códigos de todas las fechas)
	42-3773-09-K	Ensamblaje inferior 42-3773-09-K L225 con cierre a presión Laterales (se ajusta a los códigos de todas las fechas)
	42-3774-08-K	Ensamblaje inferior 42-3774-08-K L250 con cierre a presión Laterales (se ajusta a los códigos de todas las fechas)

**Nota:** Cuando se necesite una parte para los ítems #8, 9, 10 u 11 en unidades construidas previo a 01/11/90 se necesitarán todos los cuatro ítems.



**Note:** A primer will assure that adhesive joints are superior. Suregard P-3000 has a purple tracer to qualify in areas where codes specify a primer must be used.  
**Caution:** We recommend that you consider climatic conditions when applying adhesives. Certain atmospheric situations, such as high moisture content, make the adhesive action of certain glues less effective. Check the manufacturer's instructions.

**FOR THREADED CONNECTIONS**

Use only Teflon® tape or equivalent on threaded plumbing connections. Other pipe compounds may damage threads. We do not recommend the use of silicone or petroleum based compounds. **DO NOT OVER-TIGHTEN: HAND-TIGHTEN PLUS 1/2 TURN IS SUFFICIENT.**

**FILTER PLUMBING**

If the filter is equipped with union connections, union adapters are needed to complete plumbing connections and may need to be ordered separately.

**SAND FILTER PREPARATION**

**DO NOT PLACE SAND IN THE FILTER TANK BEFORE IT IS POSITIONED AS ITS WEIGHT WILL MAKE MOVING THE TANK MORE DIFFICULT AND MAY CAUSE DAMAGE.**

Remove the bag of miscellaneous parts and proceed as follows:

1. Remove the diverter/basket. Inspect the standpipe system to assure that it is properly assembled. (Press firmly on the standpipe to make sure that it is securely seated at the bottom of the tank.)
2. Place the sand-fill cover on the standpipe to prevent entrance of any sand. The sand-fill cover is either a plastic cap or waxed corrugated assembly found in the miscellaneous parts bag or separately in the carton.

**Congratulations! You have purchased one of the most user-friendly pool filters available. Ideal for an above ground pool or in-ground vinyl liner pool, this sand filter will provide you with many years of pool enjoyment. This step-by-step installation and maintenance guide will provide the necessary information for you to easily maintain the equipment.**

**Before installation be sure to read all instructions and warnings carefully.** Refer to product dataplate(s) for additional operating instructions and specifications.

**IMPORTANT SAFETY INSTRUCTIONS**

When installing and using this equipment, basic safety precautions should always be followed, including the following:

**CAUTION!** This filter operates under pressure. If this unit is not assembled properly or is operated with air in the circulation system, serious bodily injury and/or property damage could occur.

**CAUTION!** Your filter is a pressure vessel and should never be serviced while under pressure. Always shut off pump to relieve the pressure in the filter prior to servicing the unit.

**CAUTION!** To reduce risk of injury, do not permit children to use this product unless they are closely supervised at all times.

**CAUTION!** Install the system at least five feet (1.5M) from the pool to prevent it from being used as a means of access to the pool by young children. (See ANSI/NSPI-8 1996 "Model Barrier Code For Residential Swimming Pools, Spas and Hot Tubs").

**INSPECTION**

Examine the equipment when received. Notify your dealer or carrier of any damage or missing parts. Verify that the equipment is of size and model specified.

**INSTALLATION LOCATION**

Locate the unit on a solid foundation as close to the pool as possible, but no closer than 5 feet (1.5 M). (See above Warning). Give consideration to drainage away from the equipment, ventilation and access for future servicing and winterizing.

**PUMP SELECTION**

A full line of pool pumps are available for installation with these filters. For those installations where the equipment will be placed above the water level, a self-priming pump should be selected. Ask your dealer to determine the proper size and distance from pool or spa and friction losses (restrictions) of associated equipment.

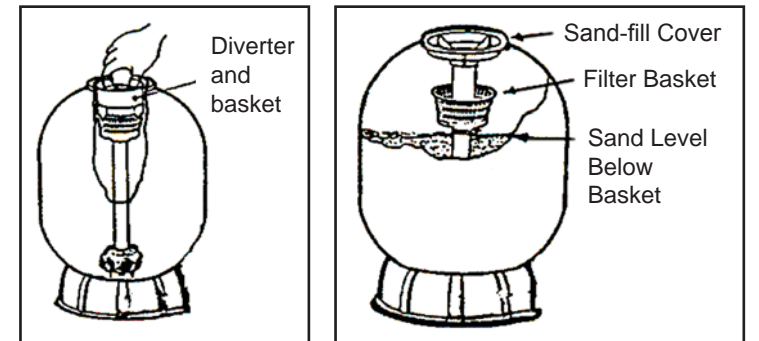
**GENERAL PLUMBING**

**FOR SOLVENT WELD CONNECTIONS**

Rigid or flexible PVC pipe can be used. Pipe ends should be clean and free of any flash caused by the cutting operation. Be sure that the proper adhesive is used on the type of pipe specified. Recommended Adhesives - These are examples only and are not intended to restrict brands:

**PVC-PVC Joint**  
Uni-Weld Pool-Tite 2000  
Suregard Flex 20  
IPS Weld-On 705

**PVC-ABS Joint**  
Uni-Weld Pool-Tite 2000  
Suregard Weld-All No. 5  
IPS Weld-OM 794



3. Fill the tank approximately 1/2 full of water.
4. Add sand (not provided) following recommendation for size and amount on product label. Be sure that the standpipe remains centered while pouring the sand. Be sure the sand is level.
5. Remove the cover from the standpipe.
6. Place the diverter/basket back on the standpipe.
7. Carefully remove all sand particles from the valve mounting location, being especially careful of valve bolt inserts and O-ring seat.
8. Position the O-ring carefully in the groove on the tank top or on the bottom of the dial valve.
9. For all tanks except the SandStorm, install the dial valve on tank, using provided hex bolts. Tighten the bolts uniformly, being careful not to OVER-TIGHTEN. Port position on valve should be relative to pump location. **Note:** Six position dial valves are equipped with a sight glass which must be hand-tightened only.
10. For SandStorm tanks, install the dial valve using the provided v-band clamp. Ensure that the tank flange and dial valve flange are enclosed within the clamp before tightening. Port position on valve should be relative to pump location.
11. Install the pressure gauge.
12. For Laser filters or filters that include a backwash adapter: the reduced orifice 1-1/2" thread x barb backwash adapter in the hardware kit is designed to provide proper water flow during the backwash cycle. To ensure desired backwash characteristics install the adapter in the waste port of the dial valve.

**DIAL VALVE FUNCTIONS**

**FILTER:** For normal filtering. This position also can be used for regular vacuuming.  
**BACKWASH:** Clean your filter with this position. See instructions on Cleaning Filter.  
**DRAIN:** This position allows you to pump water from the pool.



The flow from the pump is permitted to bypass the filter and go directly to waste. Use this position to vacuum heavy concentration of debris.

**WHIRLPOOL:** By bypassing the filter, this position creates more pressure to obtain optimum performance from any hydro-therapy fittings. No filtration occurs while the valve is in this position.

**WINTERIZE:** This is a neutral position which is used only when pump is stopped. It allows air to leave or enter the tank to help priming and draining. **RINSE:** (6 and 7 position dial valve only, not available on 4 position dial valve). For settling filter bed after backwashing and for carrying any remaining loose dirt to waste. The rinse prevents any return of residual dirt to the pool that occurs momentarily when changing directly from **BACKWASH** to **FILTER**.

**TEST:** (6 and 7 position dial valve only, not available on 4 position dial valve). This position prevents any backflow of water from pool during pump maintenance if filter is below water level.

#### FILTER START-UP

1. Set the dial valve to DRAIN position.
2. Perform pump start-up.
3. After a good flow has been established, continue pumping for one minute or until wastewater is clear.
4. Stop the pump. Set the dial valve to BACKWASH and re-start the pump.
5. Observe the waste water. When flow becomes clear (approximately 2 to 3 minutes), STOP pump.
6. If your dial valve does not have a RINSE cycle, proceed to STEP 7. If your dial valve does have a RINSE cycle, set it to that position, re-start pump and allow it to run 20 seconds. STOP pump.
7. Set the dial valve to FILTER and re-start the pump.

#### WATER CHEMISTRY

Proper and consistent use of chemicals is necessary to maintain clean, sanitary water, prevent a spread of germ infection and control the growth of algae which can spoil the appearance and enjoyment of your pool or spa. Chlorine is the most commonly used chemical to provide clean, sanitary water. Either dry or liquid chlorine can be used which should be added daily as it is dissipated by dirt and germs as well as by the sun and wind.

It is also important that the correct level of acidity or alkalinity of the pool water be maintained. This is the pH of your pool with pH 7.0 being neutral. Readings above pH 7.0 are alkaline and readings below are acid. A desirable range is 7.2 to 7.4. Consult your local pool/spa dealer for complete information on proper application and use of chemicals.

#### FILTER MAINTENANCE

Filter tank and contents should not require attention other than backwashing provided water is kept in continuous chemical balance without heavy dosages of corrosive chemicals.

#### CLEANING FILTER (Backwashing)

When the new filter is first placed in service, note reading on pressure gauge. As dirt builds up in filter, the pressure reading will increase.

When it reads 6 - 8 PSI above the original reading, it is time to backwash as described below.

1. STOP the pump.
2. Set the dial valve to BACKWASH and start the pump.
3. Observe the waste water. STOP the pump when flow becomes milky clear (approximately one to three minutes).
4. If your dial valve does not have a RINSE cycle proceed to step 5. If your dial valve does have a RINSE cycle, set it to that position, re-start pump and allow to run 20 seconds. STOP the pump.
5. Set the dial valve to FILTER and start the pump to resume filtering operation.

**Do not use a pool vacuum cleaner when the filter is backwashing.**

#### WINTERIZING

Consult your dealer for advice on winterizing your equipment if freezing temperatures occur in your locality. Their knowledge of your equipment makes them the best qualified source of information. Follow their recommendations, and if these include draining the filter system, proceed as follows:

- 1) BACKWASH for 3 to 5 minutes and then set dial valve to the WINTERIZE position.
- 2) Drain system by removing drain plugs and/or removing pipe caps from the filter, pumps, and disinfecting equipment. Store the plugs in a dry place for safekeeping.

#### SERVICE & REPAIR PARTS

Refer all service to your local dealer as his knowledge of your equipment makes him the best qualified source of information. Order all repair parts through your dealer. Give the following information when ordering repair parts: Unit nameplate data and description of part.

#### TROUBLE SHOOTING

**CAUTION!** Disconnect power to motor main circuit breaker to avoid electrical shock.

#### SAND BACK TO POOL

Sand too small. recommend .40mm to .50 mm size, 20# silica. Inspect; Flow rate too high. Adjust discharge valve to reduce flow; Sand bed calcified. Change sand; Cracked or loose laterals. Inspect or replace; Cracked manifold. Inspect or replace; Cracked or unseated standpipe in manifold. Inspect or replace; Too much sand above basket on standpipe. Inspect.

#### ALGAE OR DEBRIS BACK TO POOL

Upper standpipe disengaged from bottom of valve. Lengthen upper standpipe; Upper standpipe disengaged from top of basket. Inspect; Heavy dirt load; Heavy swimmer load; Algae. Shock with chlorine and use clarifier if necessary to remove from pool; Dial valve isn't locked in position. Inspect.

#### EXCESSIVE PRESSURE IN FILTER

Dirty filter. Backwash; recheck pressure; Backwash adapter in the "return" outlet on the dial valve. Inspect; Calcified sand bed. Inspect and change if necessary; Using Soft Swim; Baquacil. Use Baquacil's cleaners.

#### PARTES DE REPUESTO Y MANTENIMIENTO

Refiera todo el servicio a su distribuidor local porque su conocimiento sobre su equipo lo convierte en la fuente de información mejor calificada. Pida todas las partes de repuesto a través de su distribuidor. Proporcione la siguiente información cuando ordene partes de repuesto: Información de la placa de identificación de la unidad y descripción de la parte.

#### LOCALIZACIÓN DE AVERÍAS



Desconecte la corriente del circuito disyuntor principal del motor para evitar un choque eléctrico.

#### LA ARENA VUELVE A LA PISCINA

La arena es muy fina. Recomendamos arena silícea No. 20 de un tamaño de 0,40mm a 0,50 mm. Inspeccione; tasa de flujo muy alta. Ajuste la válvula de descarga para reducir el flujo; El lecho de la arena está calcificado. Cambie la arena; Laterales sueltos o agrietados. Inspeccione o reemplace; Colector agrietado. Inspeccione o reemplace; Tubo vertical agrietado o no fijo en colector. Inspeccione o reemplace; Mucha arena sobre el cesto o el tubo vertical. Inspeccione.

#### LAS ALGAS Y ARENA VUELVEN A LA PISCINA

Tubo vertical superior separado de la parte inferior de la válvula. Extienda el tubo vertical superior; Tubo vertical superior separado de la parte superior del cesto. Inspeccione; carga de suciedad pesada; Carga de baño pesada; Algas. Chocar con cloro y utilizar un clarificador si es necesario para quitarlo de piscina; la válvula cuadrante no está asegurada en su posición. Inspeccione.

#### PRESIÓN EXCESIVA EN EL FILTRO

Filtro sucio. Lave a la inversa; vuelva a chequear la presión; Adaptador de lavado inverso en la salida de "retorno" sobre la válvula cuadrante. Inspeccione; lecho de arena calcificado. Inspecciónelo y cámbielo si es necesario; Utilizando Soft Swim; Baquacil. Utilice los limpiadores de Baquacil.

#### EL FILTRO GOTEA AGUA

Hendidura en el tanque debido a daños por congelamiento. Reemplace; Tapón de drenaje faltante o no ajustado. Inspeccione; Junta tórica entre el tanque y válvula dañada, torcida o no lubricada. Inspeccione.

#### LA VÁLVULA CUADRANTE GOTEA

Válvula fijada en posición intermedia. Inspeccione; Junta tórica del desviador dañada. Reemplace; Junta tórica entre carcasa y armazón dañada. Inspeccione o reemplace; Junta tórica entre el tanque y válvula dañada, torcida, no lubricada. Inspeccione; Medidor de presión instalado sin sellado o cinta de teflón. Inspeccione.

#### EL FILTRO NO MANTIENE EL AGUA LIMPIA

Filtro sucio. Lave a la inversa o cambia la arena; vuelva a chequear la presión; Alga crecida en la piscina. Chocar con cloro y utilizar un clarificador si es necesario; luego aspire el desperdicio; se inició con Agua sucia. Continúe filtrando y limpiando como sea necesario; medio de arena inapropiado. Recomendamos arena silícea No. 20 de 0,40mm a 0,50mm. Inspeccione; carga de suciedad pesada; No hay suficiente arena en el filtro. Inspeccione o llene al nivel apropiado; Lecho de arena calcificado. Inspecciónelo y cambie la arena si es necesario; Válvula cuadrante en posición intermedia. Inspeccione; Tasa de flujo muy baja; Adaptador de lavado inverso en la entrada de la "bomba" sobre la válvula cuadrante. Inspeccione.

#### HAY ARENA SALIENDO DEL LAVADO INVERSO EN EL MODO DE LAVADO INVERSO

A la válvula le falta el adaptador de lavado inverso. Verifique la válvula; Mucha arena. ¿Recién la cambió o llenó demasiado?; La bomba está muy llena. GPM de la bomba vs. capacidad GPM del filtro. Verificar; puede necesitar un adaptador de lavado inverso más pequeño. Caso extremo. La PSI es importante.

**NOTA: Si estas recomendaciones no resuelven su(s) problema(s) particular(es), por favor contactar a su distribuidor local para reparaciones.**

#### PARTES PARA EL MODELO SANDSTORM 26, 31 Y 36

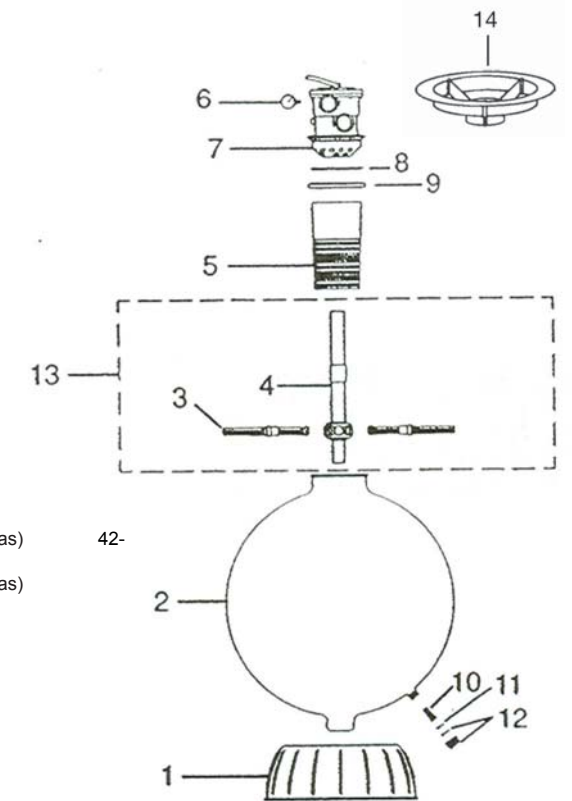
FIG. NO.	PORTE NO.	DESCRIPCIÓN
1	12-1146-09-R 12-1142-03-R 12-1161-09-R	1 Base TM26 & TM36 (anterior a 01/03/03) TM31 (anterior a 01/03/03) usar 12-1161-09-R Base TM 26, 31 y 36 (Posterior a 01/03/03)
2	9408-6457-R 9408-7031-R 9408-7160-R	Tanques TM26 con base y ensamblaje de drenaje. Tanque TM31 con base y ensamblaje de drenaje. Tanque TM36 con base y ensamblaje de drenaje.
5	16-1077-08-R 16-1077-07-R	Cesto Desviador TM26/TM31 Cesto Desviador TM36.
6	9193-4182-R	Medidor de Presión
7	39-0006-09-R	Válvula Cuadrante de 7.2 Pulgadas
8	47-0364-05-R 47-6172-04-R	Junta tórica TM 26/31 Junta tórica TM36
9	85-8139-02-R	Abrazaderas de cinta en V
10	85-8533-00-R	Boquilla
11	14-4254-09-R	Retenedor de Boquilla
12	85-8263-00-R 85-8263-00-R20	Tapón de Drenaje con/Empaquetadura Tapón de Drenaje con/Empaquetadura (paquete de 20)
13	42-3894-00-K  42-3894-10-K 3894-20-K	Asa de drenaje inferior con laterales de cierre a presión (Se ajusta a los códigos de todas las fechas) Ensamblaje de drenaje inferior con laterales de cierre a presión (se ajusta a los códigos de todas las fechas) Ensamblaje de drenaje inferior con laterales de cierre a presión (se ajusta a los códigos de todas las fechas)
14	22-5555-22-R	14 Tubo de Reboso de 2 Pulgadas

#### UNIDADES ANTES DE JUNIO 30, 2003

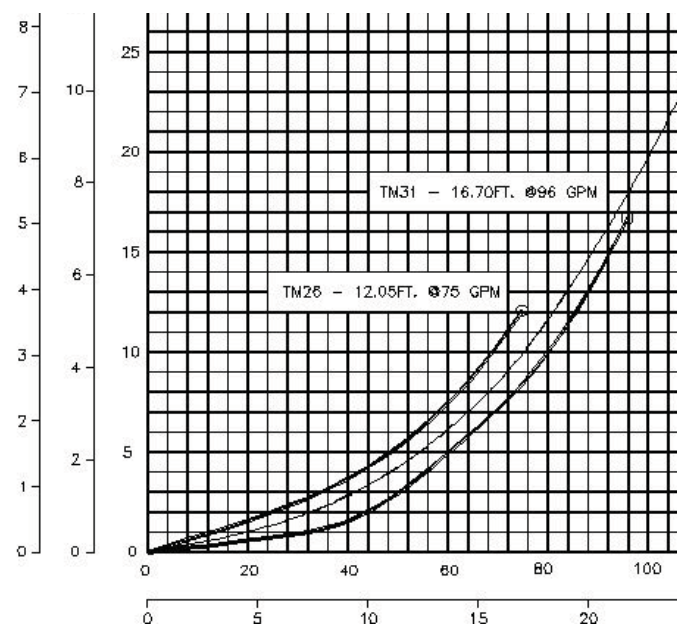
3	42-3517-00-R8	Equipo lateral TM26 (8 c/u. 83-5322-08) (paquete de 8 unidades)
	42-2978-04-R8	TM31 Lateral (8 req.) (paquete de 8)
4	42-2979-03-R8	TM31 Lateral (8 req.) (paquete de 8) Conduite TM26 (Voir #13 ci-dessus) Conduite TM31 (Voir #13 ci-dessus) Conduite TM36 (Voir #13 ci-dessus)

#### UNIDADES POSTERIOR A JUNIO 30, 2003

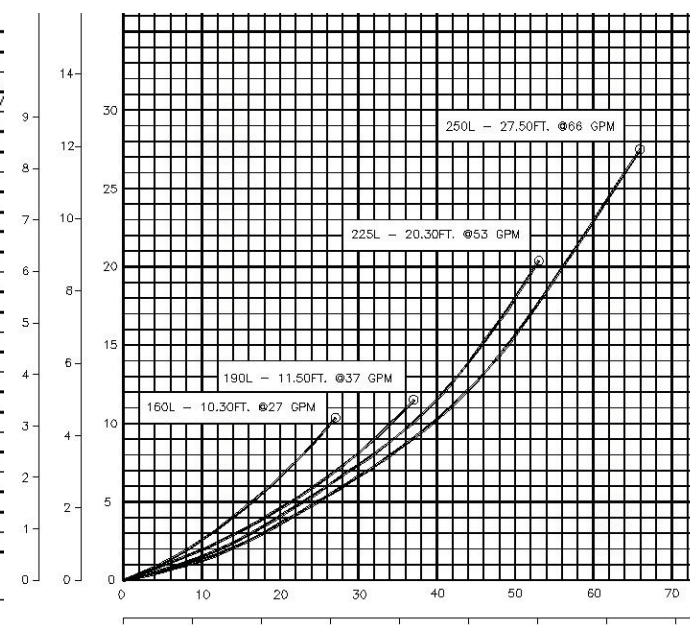
3	85-5313-04-R8 42-3892-05-R8 42-3893-04-R8	Equipo Lateral TM26 -Con Cierre a Presión (Paquete de 8) Lateral TM31 - Con Cierre a Presión (paquete de 8) Lateral TM31 - Con Cierre a Presión (paquete de 8)
4	42-3888-01-R 42-3889-08-R 42-3890-07-R	Tubo Vertical/Ensamblaje del Colector TM26 -Cierre a Presión Tubo Vertical/Ensamblaje del Colector TM31 -Cierre a Presión Tubo Vertical/Ensamblaje del Colector TM36 -Cierre a Presión



SANDSTORM FILTER PRESSURE DROP CURVE



SAND FILTER FAMILY PRESSURE DROP CURVE





10. Para los tanques SandStorm, instale la válvula cuadrante utilizando la abrazadera de cinta en V proporcionada. Asegúrese de que la brida del tanque y la brida de la válvula cuadrante estén encajadas con la abrazadera antes de ajustar. La posición de acceso sobre la válvula debe ser relativa a la ubicación de la bomba.
11. Instale el medidor de presión.
12. Para los filtros Laser o filtros que incluyen un adaptador de lavado inverso: El adaptador de lavado inverso dentado y roscado de orificio reducido de 1 1/2" pulgada en el equipo de herramientas está diseñado para proporcionar un flujo de agua apropiado durante el ciclo de lavado inverso. A Para asegurar las características deseadas del lavado inverso instale el adaptador en el acceso de desperdicios de la válvula cuadrante.

### FUNCIONES DE LA VÁLVULA CUADRANTE:

**FILTRO:** Para filtrado normal. Esta posición también se puede utilizar para aspirado normal.

**LAVADO INVERSO:** Limpie su filtro con esta posición. Ver instrucciones sobre Limpieza del Filtro.

**DRENAJE:** Esta posición le permite bombear agua fuera de la piscina. Se permite que el flujo de la bomba se desvíe del filtro y vaya directamente al vertedero. Utilice esta posición para aspirar concentraciones pesadas de desperdicios.

**REMOLINO:** Al desviarse del filtro, esta posición crea más presión para obtener un rendimiento óptimo de cualquier adecuación para hidro-terapia. No ocurre filtración mientras que la válvula está en esta posición.

**HIBERNACIÓN:** Esta es una posición neutral la cual se utiliza sólo cuando se detiene la bomba. Permite que el aire salga o ingrese al tanque para ayudar al cebado y el drenaje.

**ENJUAGUE:** (solamente válvula cuadrante de 6 y 7 posiciones, no disponible en válvula cuadrante de 4 posiciones.) Para posar el lecho del filtro después del lavado inverso y llevar cualquier suciedad remanente suelta al vertedero. El enjuague previene cualquier retorno de suciedad residual a la piscina que ocurre momentáneamente cuando se cambia directamente de **LAVADO INVERSO** en la posición **FILTRO**.

**PRUEBA:** (solamente válvula cuadrante de 6 y 7 posiciones, no disponible en válvula cuadrante de 4 posiciones.) Esta posición previene cualquier retorno de flujo de agua desde la piscina durante el mantenimiento de la bomba si el filtro está por debajo del nivel del agua.

### INICIO DEL FILTRADO

1. Fije la válvula cuadrante a la posición de DRENAJE.
2. Encienda la bomba.
3. Luego de que se haya establecido un buen flujo, continúe bombeando durante un minuto a hasta que el agua de desperdicio esté transparente.
4. Detenga la bomba. Fije la válvula cuadrante a la posición de LAVADO INVERSO y encienda nuevamente la bomba.
5. Observe el agua residual. Cuando el flujo se vuelva transparente (aproximadamente 2 a 3 minutos), DETENGA la bomba.
6. Si su válvula cuadrante no tiene un ciclo de ENJUAGUE, proceda al paso 7. Si su válvula cuadrante si tiene un ciclo de ENJUAGUE, fíjelo en esa posición, reinicie la bomba y permita que funcione 20 segundos. DETENGA la bomba.
7. Fije la válvula cuadrante a la posición de FILTRADO y encienda nuevamente la bomba.

### QUÍMICA DEL AGUA

Un uso apropiado y consistente de químicos es necesario para mantener un agua limpia y salubre, prevenir una propagación infección por gérmenes y controlar el crecimiento de algas las cuales pueden dañar la apariencia y disfrute de su piscina o bañera. El Cloro es el químico más comúnmente utilizado para proporcionar un agua limpia y salubre. Se puede utilizar ya sea cloro líquido o seco el cual debe agregarse diariamente ya que se disipa con la suciedad y gérmenes así como también por el sol y el viento.

También es importante que se mantenga el nivel correcto de acidez o alcalinidad del agua de la piscina. Este es el pH de su piscina siendo el pH 7.0 neutral. Las lecturas por encima de pH 7.0 son alcalinas y las lecturas por debajo son ácidas. Una extensión deseable es de 7.2 a 7.4. Consulte con su distribuidor local de piscinas/bañeras sobre una información completa sobre la aplicación apropiada y el uso de los químicos.

### MANTENIMIENTO DEL FILTRO

El tanque del filtro y los contenidos no deberían requerir otra atención que el lavado inverso, con tal de que se mantenga el agua en un equilibrio químico continuo sin fuertes dosis de químicos corrosivos.

### LIMPIEZA DEL FILTRO (Lavado Inverso)

Quando el nuevo filtro se coloca por primera vez, note la lectura sobre el medidor de presión. A medida que se acumula la suciedad en el filtro, la lectura de presión aumentará. Cuando el medidor lea 6-8 PSI sobre la lectura original, es hora de lavar a la inversa como se indica a continuación:

1. DETENGA la bomba.
2. Fijela válvula cuadrante a la posición de LAVADO INVERSO y encienda la bomba.
3. Observe el agua residual. DETENGA la bomba cuando el flujo se vuelva transparente y lechoso (aproximadamente de uno a tres minutos.)
4. Si su válvula cuadrante no tiene un ciclo de ENJUAGUE, proceda al paso 5. Si su válvula cuadrante si tiene un ciclo de ENJUAGUE, fíjelo en esa posición, reinicie la bomba y permita que funcione 20 segundos. DETENGA la bomba.
5. Fije la válvula cuadrante a la posición de FILTRAR y encienda la bomba para reiniciar la operación de filtrado.

**No utilice una aspiradora limpiadora de piscinas cuando el filtro está en lavado inverso.**

### HIBERNACIÓN

Consulte o pida consejo a su distribuidor de piscinas respecto a hibernar su equipo si ocurren temperaturas de congelamiento en su localidad. Su conocimiento sobre su equipo lo convierte en la fuente de información mejor calificada. Siga sus recomendaciones, y si estas incluyen el drenar el sistema de filtrado, proceda como se indica a continuación:

- 1) Haga un LAVADO INVERSO de 3 a 5 minutos y luego fije la válvula cuadrante a la Posición de HIBERNACIÓN.
- 2) Drene el sistema quitando los tapones de drenaje y/o quitando las tapas de tubería del filtro, bombas y equipo desinfectante. Guarde los tapones en un sitio seco y seguro.

### FILTER LEAKS WATER

Split in tank due to freeze damage. Replace; Drain plug missing or not tight. Inspect; O-ring between tank and valve damaged, twisted or not lubed. Inspect.

### DIAL VALVE LEAKS

Valve set in intermediate position. Inspect; Diverter O-ring damaged. Replace; O-ring between body and housing damaged. Inspect or replace; O-ring between valve and tank damaged, twisted, not lubed. Inspect; Pressure gauge installed without sealant or teflon tape. Inspect.

### FILTER WILL NOT KEEP WATER CLEAN

Dirty filter. Backwash or change sand; recheck pressure; Algae growth in pool. Shock with chlorine and use clarifier if necessary, then vacuum to waste;

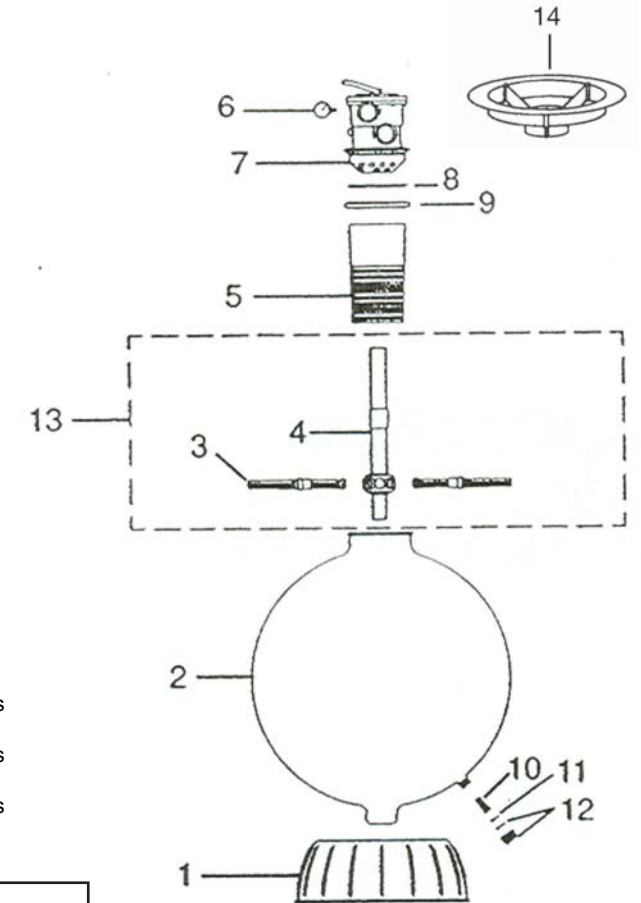
Water started out dirty. Continue to filter and clean as necessary; Improper sand media. Recommend .40mm to .50mm, 20# silica. Inspect; Heavy swimmer load; Not enough sand in filter. Inspect or fill to proper level; Calcified sand bed. Inspect and change sand if necessary; Dial valve in intermediate position. Inspect; Flow rate too low; Backwash adapter in the "pump" inlet on the dial valve. Inspect.

### SAND COMING OUT OF BACKWASH IN BACKWASH MODE

Valve missing backwash adapter. Check valve; did you recently change the sand and put too much?; Pump is over sized. GPM of pump vs. GPM capacity of filter. Check; May need smaller backwash adapter. extreme case. PSI is important. **NOTE: If these recommendations do not solve your particular problem(s), please contact your local dealer for service.**

### PARTS FOR SANDSTORM MODEL 26, 31 AND 36

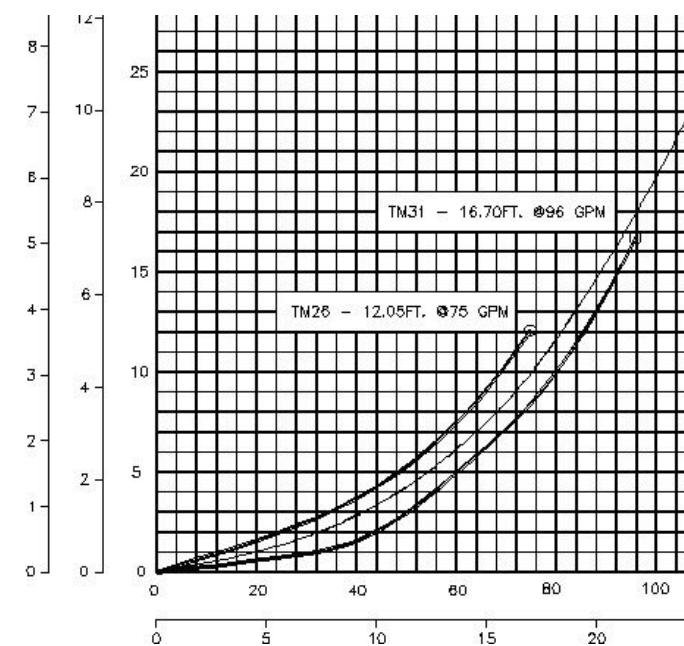
FIG NO.	PART NO.	DESCRIPTION
1	12-1146-09-R	Base TM26 & TM36 (prior to 3/1/03)
	12-1142-03-R	Base TM31 (prior to 3/1/03) use 12-1161-09-R
	12-1161-09-R	Base TM26, 31, and 36 (after 3/1/03)
2	9408-6457-R	Tank TM26 w/ base and drain assy.
	9408-7031-R	Tank TM31 w/ base and drain assy.
	9408-7160-R	Tank TM36 w/ base and drain assy.
5	16-1077-08-R	Diverter Basket TM26/TM31
	16-1077-07-R	Diverter Basket TM36
6	9193-4182-R	Pressure Gauge
7	39-0006-09-R	2" Dial Valve
8	47-0364-05-R	O-ring TM 26/31
	47-6172-04-R	O-ring TM36
9	85-8139-02-R	V-band clamp
10	85-8533-00-R	Nozzle
11	14-4254-09-R	Nozzle retainer
12	85-8263-00-R	Drain cap w/ gasket
	85-8263-00-R20	Drain cap w/ gasket (20 per bag)
13	42-3894-00-K	TM26 Underdrain assy. with snap-fit laterals (fits all date codes)
	42-3894-10-K	TM31 Underdrain assy. with snap-fit laterals (fits all date codes)
	42-3894-20-K	TM36 Underdrain assy. with snap-fit laterals (fits all date codes)
14	22-5555-22-R	Fill Spout 2"



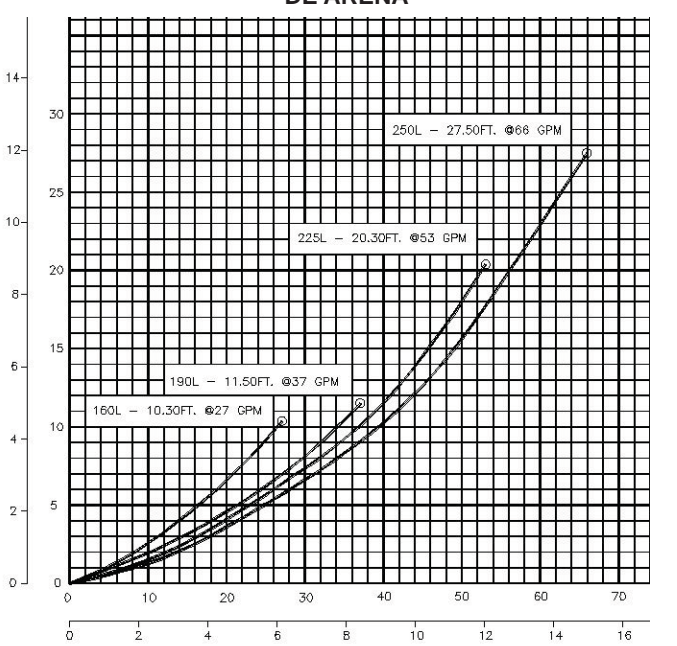
UNITS PRIOR TO JUNE 30, 2003		
3	42-3517-00-R8	TM26 Lateral Kit (8 ea. 83-5322-08) (8 per bag)
	42-2978-04-R8	Lateral TM31 (8 req'd) (8 per bag)
	42-2979-03-R8	Lateral TM36 (8 req'd) (8 per bag)
4		Standpipe TM26 (See #13 above)
		Standpipe TM31 (See #13 above)
		Standpipe TM36 (See #13 above)

UNITS AFTER JUNE 30, 2003		
3	85-5313-04-R8	TM26 Lateral Kit - Snap Fit (8 per bag)
	42-3892-05-R8	TM31 Lateral - Snap Fit (8 per bag)
	42-3893-04-R8	TM36 Lateral - Snap Fit (8 per bag)
4	42-3888-01-R	TM26 Standpipe/Manifold Assembly - Snap Fit
	42-3889-08-R	TM31 Standpipe/Manifold Assembly - Snap Fit
	42-3890-07-R	TM36 Standpipe/Manifold Assembly - Snap Fit

CURVA DE CAIDA DE PRESIÓN DEL FILTRO SANDSTORM



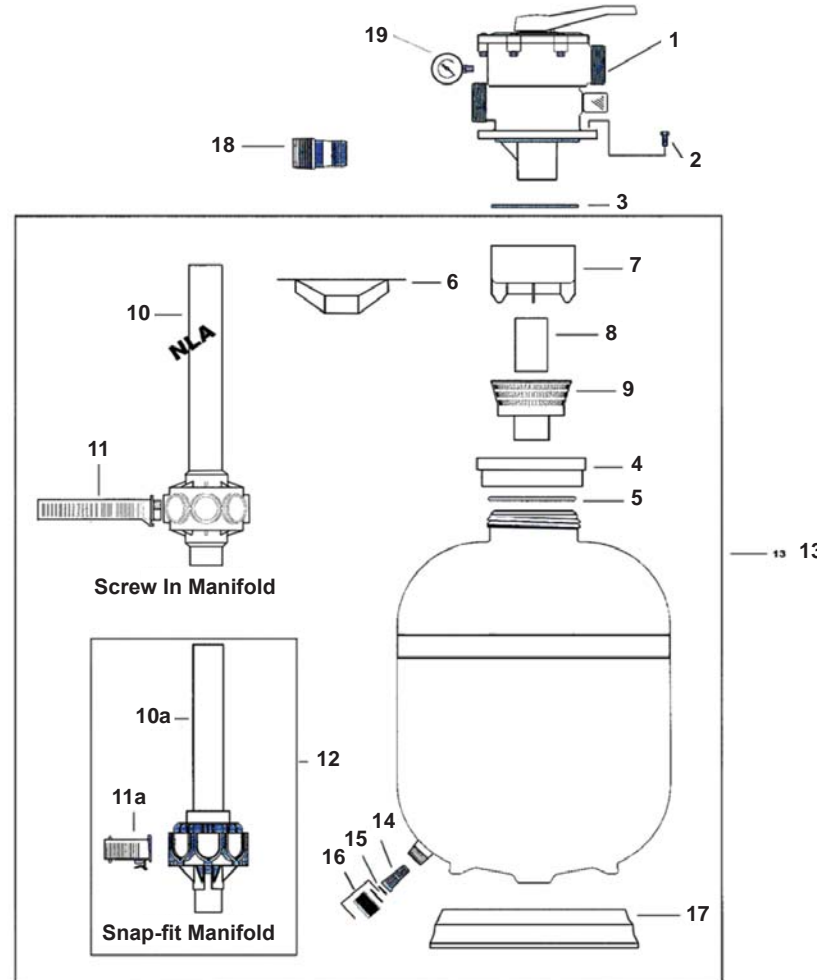
CURVA DE CAIDA DE PRESIÓN DOMÉSTICA DE FILTROS DE ARENA





**PARTS FOR LASER MODEL 160L, 190L, 192L, 225L & 250L**

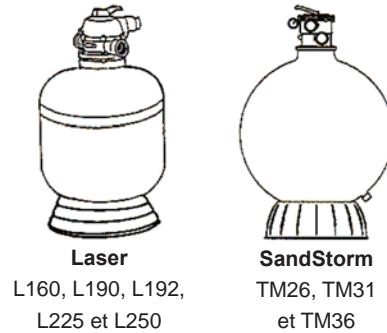
FIG. NO.	PART NO.	DESCRIPTION
1	39-2582-07-R	4-Way Dial Valve includes #2, 3, 19
	39-2588-00-R	6-Way Dial Valve includes #2, 3, 19
	39-2628-03-R	DVK-7 Valve includes #2, 3, 19
2	14-0743-06-R6	Hex Capscrew 5/16" - 18" x 1" (6 per bag)
3	13-0378-09-R	Gasket
4	85-8133-00-R	Laser Tank Adapter Flange
5	47-0434-01-R	O-Ring 5-5/8" x 6-1/8" - BN (Effective 4/29/92)
6	22-3639-07-R	Fill Spout 9869
7	43-0715-05-R	Diverter 011175 (Effective 11/1/90)
8	31-0113-64-R	Upper Pipe 1-1/2" x 4-1/2" PVC 160 (Effective 11/1/90)
9	88-1580-01-R	Filter Basket (Effective 11/1/90)
13	9408-0160	Laser 160 Tank Assy.
	9408-0190	Laser 190 Tank Assy.
	9408-0192	Laser 192 Tank Assy.
	9408-0225	Laser 225 Tank Assy.
	9408-0250	Laser 250 Tank Assy.
14	85-8533-00-R	Laser Drain Nozzle
15	14-4254-09-R	Drain Nozzle Retainer
16	85-8263-00-R	Drain Cap w/ Gasket
	85-8263-00-R20	Drain cap w/ Gasket (20 per bag)
17	85-8593-00-R	Laser 160, 190, 192, 225, 250 Base Assy.
18	31-1650-04-R	Laser 160 Backwash Adapter
	31-1652-02-R	Laser 190/192 Backwash Adapter
	31-1653-01-R	Laser 225/250 Backwash Adapter
19	9193-4182-R	PG 60 Pressure Gauge 0-60#



UNITS PRIOR TO 2/1/03	
10	Laser 160 Standpipe/Manf. Assy. (See item #12 below)
	Laser 190 Standpipe/Manf. Assy. (See item #12 below)
	Laser 192 Standpipe/Manf. Assy. (See item #12 below)
	Laser 225 Standpipe/Manf. Assy. (See item #12 below)
	Laser 250 Standpipe/Manf. Assy. (See item #12 below)
11	42-3532-01-R8 L160 Lat. Kit (8 per bag)
	42-3511-06-R8 L190/192/225 Lat. Kit (8 per bag)
	42-3517-00-R8 L250 Lat. Kit (8 per bag)

UNITS AFTER 2/1/03	
10	42-3757-09-R L160 Standpipe/Manf. Assy. Snap-Fit
	42-3760-04-R L190 Standpipe/Manf. Assy. Snap-Fit
	42-3760-50-R L192 Standpipe/Manf. Assy. Snap-Fit
	42-3761-03-R L225 Standpipe/Manf. Assy. Snap-Fit
	42-3754-02-R L250 Standpipe/Manf. Assy. Snap-Fit
11a	85-5311-02-R8 L160 Lateral Kit Snap-Fit (8 per bag)
	85-5312-03-R8 L190/192/225 Lateral Kit Snap-Fit (8 per bag)
	85-5313-04-R8 L250 Lateral Kit Snap-Fit (8 per bag)
12	42-3770-02-K L160 Underdrain Assy. with Snap-Fit Laterals (Fits all date codes)
	42-3771-01-K L190 Underdrain Assy. with Snap-Fit Laterals (Fits all date codes)
	42-3771-50-K L192 Underdrain Assy. with Snap-Fit Laterals (Fits all date codes)
	42-3773-09-K L225 Underdrain Assy. with Snap-Fit Laterals (Fits all date codes)
	42-3774-08-K L250 Underdrain Assy. with Snap-Fit Laterals (Fits all date codes)

**Note:** When replacement part is needed for item #8, 9, 10 or 11 on units built prior to 11/1/90, then all four items will be needed.



**¡Felicidades! Usted ha adquirido uno de los sistemas para filtrado de arena de piscinas disponible más amigable al usuario. Ideal para una piscina sobre el nivel del suelo o piscina de vinilo debajo del nivel del suelo, este filtro de arena le proporcionará muchos años de disfrute de su piscina. Esta guía de instalación y mantenimiento paso por paso le proporcionará la información necesaria para que usted mantenga fácilmente el equipo.**

**Antes de la instalación asegúrese de leer todas las instrucciones y avisos cuidadosamente.** Refiérase a la(s) placa(s) de información del producto para instrucciones y especificaciones de operación adicionales.

**INSTRUCCIONES DE SEGURIDAD IMPORTANTES**

Cuando se instala y se utiliza este equipo eléctrico, siempre deben seguirse las precauciones de seguridad básicas, incluyendo las siguientes:

- ¡ADVERTENCIA!** Este filtro opera bajo presión. Si no se ensambla e sta unidad adecuadamente o se opera con aire dentro del sistema de circulación, podrían ocurrir serios daños corporales y/o daños a la propiedad.
- ¡ADVERTENCIA!** Su filtro es un recipiente a presión y nunca debe ser revisado mientras está bajo presión. Siempre apague la bomba para liberar la presión en el filtro previo al mantenimiento de la unidad.
- ¡ADVERTENCIA!** Para reducir el riesgo de heridas, no permita que los niños utilicen este producto a no ser que estén supervisados de cerca en todo momento.
- ¡ADVERTENCIA!** Ubique el sistema por lo menos a cinco pies (1.5 M) de la piscina para prevenir que sea utilizado por niños pequeños como un medio de acceso a la piscina. (Ver ANSI/NSPI-8 1996 "Código de Seguridad de Modelo para Piscinas, Bañeras Calientes y Tinas Residenciales").

**INSPECCIÓN**

Examine el equipo cuando lo reciba. Notifique a su distribuidor o transportista de cualquier daño o partes faltantes. Verifique que el equipo sea del tamaño y del modelo especificado.

**UBICACIÓN DE LA INSTALCIÓN**

Ubique la unidad sobre una base sólida tan cerca de la piscina como sea posible, pero no más cerca de 5 pies (1.5 m). (Ver Advertencia anterior) Considerar drenar fuera del equipo, ventilación y un acceso para un mantenimiento e hibernación futuros.

**SELECCIÓN DE LA BOMBA**

Hay una línea completa de bombas disponibles para instalación con estos filtros. Para aquellas instalaciones en donde el equipo se coloque sobre el nivel del agua, se debe seleccionar una bomba de cebado automático. Pídale a su distribuidor que determine el tamaño apropiado y la distancia desde la piscina o tina y las desventajas (restricciones) del equipo asociado.

**PLOMERÍA GENERAL**

**PARA CONEXIONES DE SOLDADURA CON SOLVENTE**  
**PARA CONEXIONES DE SOLDADURA CON SOLVENTE**  
Se puede utilizar PVC rígido o flexible. Los extremos de los tubos deben estar limpios y libres de cualquier desperdicio causado por la operación de corte.

Asegúrese de que se utilice un adhesivo apropiado en el tipo de tubería específica. Adhesivos Recomendados - Estos son solamente ejemplos y no están hechos para restringir marcas:

Unión de PVC-PVC	Unión de PVC-ABS
Uni-Weld Pool-Tite 2000	Uni-Weld Pool-Tite 2000
Suregard Flex 20	Suregard Weld-All No. 5
IPS Weld-On 705	IPS Weld-OM 794

**Nota:** Un tapaporos asegurará que las uniones adhesivas sean superiores. Suregard P-3000 tiene un indicador púrpura para calificar en las áreas en donde los códigos especifican que se debe utilizar un cebador. **Cuidado:** Recomendamos que considere las condiciones climáticas al aplicar adhesivos. Ciertas situaciones atmosféricas, tales como el contenido de alta humedad, hacen menos efectiva la acción adhesiva de ciertas gomas. Verifique las instrucciones del fabricante.

**PARA CONEXIONES ROSCADAS**

Sólo utilice cinta de Teflón® o equivalente en conexiones de plomería roscada. Otros compuestos de tubería pueden dañar las roscas. No recomendamos el uso de compuestos con base de petróleo o silicona. **NO AJUSTE DEMASIADO: ES SUFICIENTE UN AJUSTE MANUAL MÁS MEDIA VUELTA.**

**PLOMERÍA DEL FILTRO**

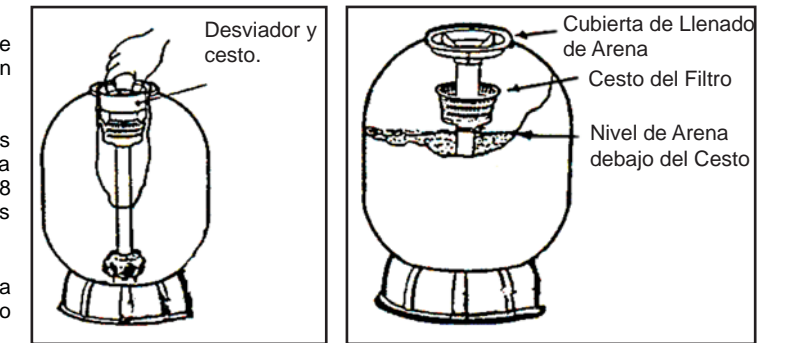
Si el filtro está equipado con conexiones de unión, se necesitan adaptadores de unión para completar las conexiones de plomería y pueden necesitar pedirse por separado.

**PREPARACIÓN DEL FILTRO DE ARENA**

**NO COLOQUE ARENA EN EL TANQUE DEL FILTRO ANTES DE SER COLOCADO YA QUE SU PESO HARÁ QUE EL MOVIMIENTO DEL TANQUE SEA MÁS DIFÍCIL Y PUEDE CAUSAR UN DAÑO.**

Retire le sac de pièces diverses et procédez aux étapes suivantes: Quite la bolsa de partes misceláneas y proceda como si indica a continuación:

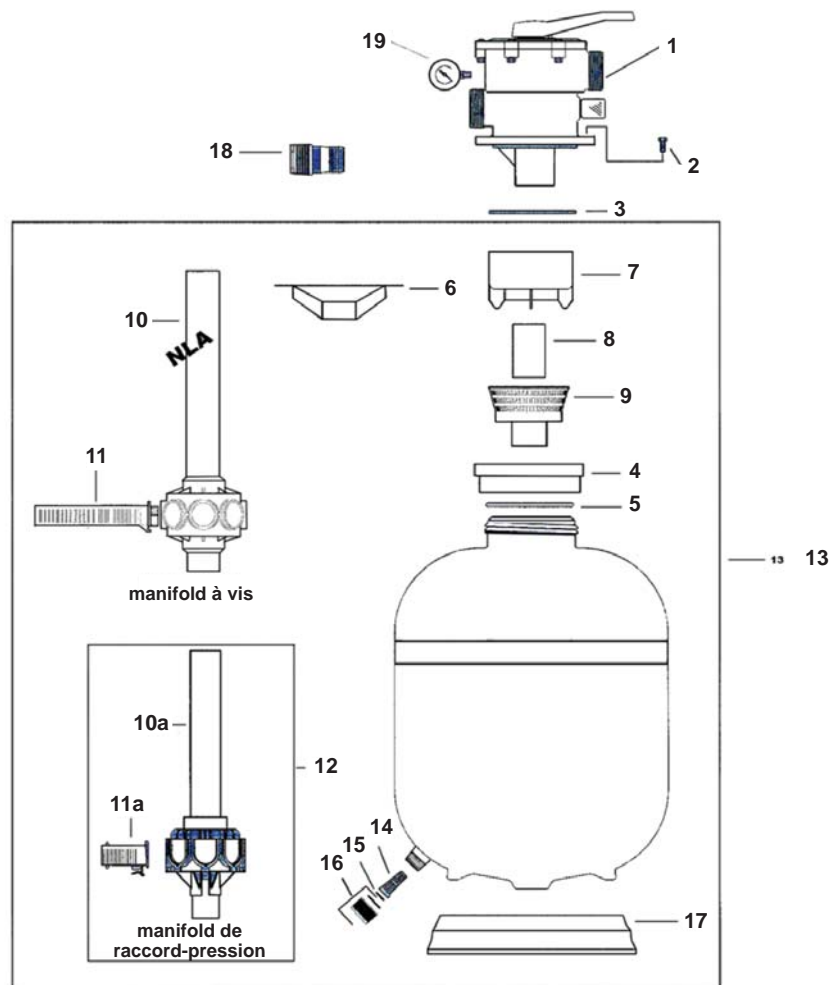
1. Quite el cesto/desviador. Inspeccione el sistema de tubo vertical para asegurar de que esté ensamblado adecuadamente. (Presione firmemente sobre el tubo vertical para asegurar que esté colocado de modo seguro en el fondo del tanque.)
2. Coloque la cubierta de llenado de arena sobre el tubo vertical para prevenir la entrada de arena. La cubierta de llenado de arena es ya sea una tapa plástica o un armado de cartón parafinado corrugado que se encuentra en la bolsa de partes misceláneas o separadamente en el cartón.



3. Llene de agua aproximadamente la mitad del tanque.
  4. Agregue arena (no proporcionada) siguiendo la recomendación de tamaño y cantidad en la etiqueta del producto. Asegúrese de que el tubo vertical permanece centrado mientras que agrega la arena. Asegúrese de que la arena esté nivelada.
  5. Quite la cubierta del tubo vertical.
  6. Coloque nuevamente el desviador/cesto sobre el tubo vertical.
  7. Quite cuidadosamente todas las partículas de arena de la ubicación de montaje de la válvula, cuidando especialmente de las inserciones de tornillos de la válvula y base de la junta tórica.
  8. Coloque cuidadosamente la junta tórica en la ranura de la parte superior del tanque o en el fondo de la válvula cuadrante.
  9. Para todos los tanques con excepción del SandStorm, instale la válvula cuadrante sobre el tanque, utilizando los tornillos hexagonales proporcionados. Ajuste uniformemente los tornillos, cuidando de no AJUSTAR EN EXCESO. La posición de acceso sobre la válvula debe ser relativa a la ubicación de la bomba.
- Nota:** Las válvulas cuadrantes de seis posiciones están equipadas con un vidrio visor el cual sólo debe ajustarse manualmente.

PIÈCES POUR LES MODÈLES LASER 160L, 190L, 192L, 225L ET 250L

FIG. N°	PIÈCE N°	DESCRIPTION
1	39-2582-07-R	Soupape sélectrice 4 positions (inclut les n° 2, 3, et 19)
	39-2588-00-R	Soupape sélectrice 6 positions (inclut les n° 2, 3, et 19)
	39-2628-03-R	Soupape sélectrice 7 positions (inclut les n° 2, 3, et 19)
2	14-0743-06-R6	Vis à tête hexagonale de 5/16-18 x 1 po (6 par paquet)
3	13-0378-09-R	Joint d'étanchéité
4	85-8133-00-R	Bride de raccord pour réservoir Laser
5	47-0434-01-R	Joint torique de 5 5/8 x 6 1/8 - BN (après le 29 avril 1992)
6	22-3639-07-R	Bec de remplissage 9869
7	43-0715-05-R	Organe de dérivation 011175 (après le 1 <sup>er</sup> novembre 1990)
8	31-0113-64-R	Tuyau supérieur 1 1/2 x 4 1/2 po. PVC 160 (après le 1 <sup>er</sup> novembre 1990)
9	88-1580-01-R	Panier-filtre (après le 1 <sup>er</sup> novembre 1990)
13	9408-0160	Ensemble de réservoir Laser 160
	9408-0190	Ensemble de réservoir Laser 190
	9408-0192	Ensemble de réservoir Laser 192
	9408-0225	Ensemble de réservoir Laser 225
	9408-0250	Ensemble de réservoir Laser 250
14	85-8533-00-R	Buse du drain Laser
15	14-4254-09-R	Bague d'arrêt de la buse du drain
17	85-8263-00-R	Bouchon de drain avec joint d'étanchéité
	85-8263-00-R20	Bouchon de drain avec joint d'étanchéité (20 par paquet)
17	85-8593-00-R	Base Laser 160, 190, 192, 225, 250
18	31-1650-04-R	Adaptateur de lavage à contre-courant Laser 160
	31-1652-02-R	Adaptateur de lavage à contre-courant Laser 190/192
	31-1653-01-R	Adaptateur de lavage à contre-courant Laser 225/250
19	9193-4182-R	Manomètre 0-60# PG 60



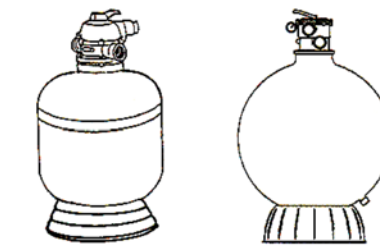
UNITÉS INSTALLÉES AVANT LE 1<sup>er</sup> FÉVRIER 2003

10 (voir le n° 12 ci-dessous)	Ensemble de tuyau du réservoir cylindrique L160
	Ensemble de tuyau du réservoir cylindrique L190
	Ensemble de tuyau du réservoir cylindrique L192
	Ensemble de tuyau du réservoir cylindrique L225
	Ensemble de tuyau du réservoir cylindrique L250
11	Trousse de conduites secondaires L160 (8 par paquet)
	Trousse de conduites secondaires L190/L192/L225 (8 par paquet)
	Trousse de conduites secondaires L250 (8 par paquet)

UNITÉS INSTALLÉES APRÈS LE 1<sup>er</sup> FÉVRIER 2003

10	42-3757-09-R	Ensemble de tuyau du réservoir cylindrique L160 à raccord-pression
	42-3760-04-R	Ensemble de tuyau du réservoir cylindrique L190 à raccord-pression
	42-3760-50-R	Ensemble de tuyau du réservoir cylindrique L192 à raccord-pression
	42-3761-03-R	Ensemble de tuyau du réservoir cylindrique L225 à raccord-pression
	42-3754-02-R	Ensemble de tuyau du réservoir cylindrique L250 à raccord-pression
11a	85-5311-02-R8	Trousse de conduites secondaires à raccord-pression L160 (8 par paquet)
	85-5312-03-R8	Trousse de conduites secondaires à raccord-pression L190/192/225 (8 par paquet)
	85-5313-04-R8	Trousse de conduites secondaires à raccord-pression L250 (8 par paquet)
12	42-3770-02-K	Drain de sortie L160 avec conduites secondaires à raccord-pression (convient à tous les codes de date)
	42-3771-01-K	Drain de sortie L190 avec conduites secondaires à raccord-pression (convient à tous les codes de date)
	42-3771-50-K	Drain de sortie L192 avec conduites secondaires à raccord-pression (convient à tous les codes de date)
	42-3773-09-K	Drain de sortie L225 avec conduites secondaires à raccord-pression (convient à tous les codes de date)
	42-3774-08-K	Drain de sortie L250 avec conduites secondaires à raccord-pression (convient à tous les codes de date)

**Remarque:** Quand les pièces de remplacement sont requises pour les no. 8, 9, 10 ou 11 pour unités installées avant le 1<sup>er</sup> novembre 1990, alors il faudra commandé les quatre items.



**Laser**  
L160, L190, L192,  
L225 et L250

**SandStorm**  
TM26, TM31  
et TM36

Assurez-vous que l'adhésif utilisé convient au type de tuyau spécifié. Les adhésifs recommandés que voici sont à titre d'exemples seulement et ne sont pas destinés à vous limiter aux marques indiquées:

**Joint PVC à PVC**  
Uni-Weld Pool-Tite 2000  
Suregard Flex 20  
IPS Weld-On 705

**Joint PVC à ABS**  
Uni-Weld Pool-Tite 2000  
Suregard Weld-All No. 5  
IPS Weld-OM 794

**Remarque:** Une couche d'apprêt assurera que l'adhésion des joints est de qualité supérieure. Suregard P-3000 contient un traceur violet qui est admissible dans les zones où les codes de construction exigent l'utilisation d'un apprêt. **Mise en garde:** Prenez en considération les conditions atmosphériques quand vous appliquez des adhésifs. Certaines conditions atmosphériques très humides, par exemple, peuvent rendre les adhésifs moins efficaces. Consultez les instructions du fabricant.

**JOINTS FILETÉS**

Utilisez uniquement du ruban Teflon<sup>MD</sup> ou l'équivalent pour raccorder les joints filetés. D'autres composés pour tuyaux pourraient endommager le filetage des joints. Nous ne recommandons pas l'usage de silicone ou de composés à base de pétrole. **NE SERREZ PAS EXCESSIVEMENT. LE SERRAGE À LA MAIN PLUS 1/2 TOUR EST SUFFISANT.**

**TUYAUTERIE POUR LE FILTRE**

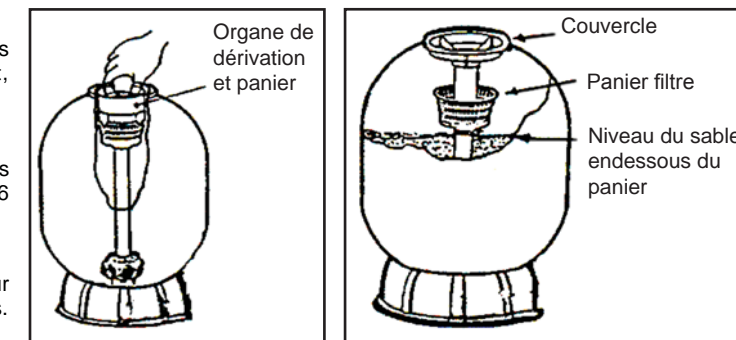
Si le filtre est équipé de raccords-union, des adaptateurs union sont requis pour compléter le raccordement; il se peut que vous ayez à commander ces adaptateurs séparément.

**PRÉPARATION DU FILTRE À SABLE**

**NE METTEZ PAS LE SABLE DANS LE RÉSERVOIR DU FILTRE AVANT D'AVOIR INSTALLÉ CE DERNIER, CAR SON POIDS RENDRAIT LE DÉPLACEMENT DIFFICILE ET POURRAIT ENDOMMAGER LE FILTRE.**

Retirez le sac de pièces diverses et procédez aux étapes suivantes:  
1) Retirez le panier/l'organe de dérivation. Inspectez le système de refoulement pour vous assurer qu'il est assemblé correctement. (Appuyez fort sur le tuyau du réservoir cylindrique pour vous assurer qu'il est solidement assis sur la base du réservoir.)

2) Posez le couvercle sur le tuyau du réservoir cylindrique pour empêcher le sable de pénétrer dans le tuyau. Ce couvercle est soit un capuchon en plastique soit un assemblage cannelé recouvert de cire que vous trouverez dans le sac des pièces diverses ou dans la boîte d'emballage.



- Remplissez le réservoir environ à la moitié avec de l'eau.
- Ajoutez du sable (non compris) selon les instructions de l'étiquette du produit quant à la dimension et la quantité requise. Veillez à maintenir le tuyau du réservoir cylindrique bien centré en versant le sable. Nivelez le sable.
- Retirez le couvercle du tuyau du réservoir cylindrique.
- Remplacez l'organe de dérivation/le panier sur le tuyau du réservoir cylindrique.

7. Enlevez soigneusement les particules de sable de la zone de montage de la soupape, surtout autour du point d'insertion du verrou de la soupape et du joint torique.

8. Placez soigneusement le joint torique dans la rainure au haut du réservoir ou au fond de la soupape sélectrice.

9. Pour tous les types de réservoirs sauf le SandStorm, posez la soupape sélectrice sur le réservoir à l'aide des boulons hexagonaux fournis. Serrez les boulons de façon uniforme sans forcer EXCESSIVEMENT. Positionnez l'orifice de la soupape par rapport à l'emplacement de la pompe.

**Remarque:** les soupapes sélectrices à 6 voies sont équipées d'un hublot qui doit être serré à la main uniquement.

**Félicitations! Vous avez acheté l'un des filtres pour piscine les plus conviviaux disponibles sur le marché. Parfait pour les piscines hors terre et creusées à toile de vinyle, ce filtre vous offrira des années de jouissance avec votre piscine. Ce guide étape par étape d'installation et d'entretien vous donnera les renseignements nécessaires pour vous aider à entretenir l'équipement en toute facilité.**

**Avant de procéder à l'installation, lisez soigneusement toutes les instructions et consignes de sécurité.** Consultez les étiquettes des produits pour des renseignements supplémentaires sur le mode d'emploi et les spécifications du produit.

**IMPORTANTES CONSIGNES DE SÉCURITÉ**

Lors de l'installation et de l'utilisation de cet équipement, des précautions de sécurité de base doivent toujours être respectées, notamment:

**AVERTISSEMENT!** Ce filtre fonctionne sous pression. Si cet appareil n'est pas assemblé convenablement, ou si de l'air est présent dans le système de circulation pendant son fonctionnement, des blessures graves et/ou des dommages matériels pourraient s'ensuivre.

**AVERTISSEMENT!** Votre filtre est un appareil sous pression, et aucun entretien ne doit être effectué pendant qu'il est sous pression. Arrêtez toujours la pompe pour faire chuter la pression dans le filtre et ouvrez la purge d'air avant d'effectuer l'entretien.

**AVERTISSEMENT!** Afin de réduire le risque de blessures, ne pas permettre aux enfants d'utiliser ce produit, sauf sous surveillance étroite en tout temps.

**AVERTISSEMENT!** Installez le système à au moins cinq pieds (1,5 m) de la piscine afin d'éviter que des jeunes enfants ne l'utilisent comme moyen d'accéder à la piscine. (Voir ANSI/NSPI-8 1996 ("Normes pour barrières de piscines résidentielles, spas et cuves thermales").

**INSPECTION**

Examinez l'équipement dès la réception. Avisez le détaillant ou le transporteur si vous trouvez des pièces endommagées ou s'il vous manque des pièces. Vérifiez que l'équipement est bien du modèle et de la dimension spécifiés.

**EMPLACEMENT DE L'INSTALLATION**

Placez l'appareil sur une base solide le plus près possible de la piscine, mais à une distance minimale de cinq pieds (1,5 m). (Voir la mise en garde ci-dessus). Veillez à ce que l'endroit facilite le drainage, la ventilation et l'accès à l'équipement pour l'entretien futur et pour l'hivernisation.

**SÉLECTION DE LA POMPE**

Une gamme complète de pompes de piscine est disponible pour installation avec ces filtres. Pour les installations où l'équipement est placé au-dessus du niveau de l'eau, une pompe auto-amorçante est recommandée. Consultez votre détaillant pour déterminer la taille appropriée de l'équipement, la distance de la piscine ou du spa à laquelle il faut l'installer et les pertes de pression liées aux équipements associés. des équipements associés.

**INSTALLATIONS DE TUYAUTERIE**

**JOINTS SOUDÉS AU SOLVANT**

Un tuyau rigide ou flexible en PVC peut être utilisé. Les bouts du tuyau doivent être propres et libres de toute bavure produite lors de la coupe.



10. Pour les réservoirs SandStorm, installez la soupape sélectrice en vous servant du crampon de serrage à courroie en V fourni. Assurez-vous que les brides du réservoir et de la soupape sélectrice sont enclouonnées à l'intérieur du crampon avant de le resserrer. Positionnez l'orifice de la soupape par rapport à l'emplacement de la pompe.

11. Installez le manomètre.

12. Pour les filtres Laser ou les filtres munis d'un adaptateur à contre-courant, l'adaptateur à orifice réduit de filetage 1 -1/2 po qui se trouve dans le sac de ferrures est conçu pour procurer un écoulement adéquat lors du cycle de lavage à contre-courant. Pour assurer un bon fonctionnement du lavage à contre-courant, installez l'adaptateur sur la bonde d'évacuation de la soupape sélectrice.

### FONCTIONS DE LA SOUPAPE SÉLECTRICE

**FILTRE** - Pour le filtrage normal. Cette position est également utilisée pour la fonction aspirateur régulière.

**LAVAGE À CONTRE-COURANT** - Nettoyez votre filtre dans cette position. Consultez les instructions sur le nettoyage du filtre.

**DRAINAGE** - Cette position vous permet de pomper l'eau hors de la piscine. Le débit de la pompe contourne le filtre et se vidange directement. Utilisez cette position pour aspirer les grosses concentrations de débris.

**TOURBILLON** - En contournant le filtre, cette position crée une pression plus élevée pour obtenir un rendement optimal des dispositifs d'hydrothérapie. Aucune filtration ne se produit quand la soupape est dans cette position.

**HIVÉRISATION** - Cette position neutre est utilisée seulement quand la pompe est arrêtée. Elle permet à l'air de sortir ou d'entrer dans le réservoir pour faciliter l'amorçage et le drainage.

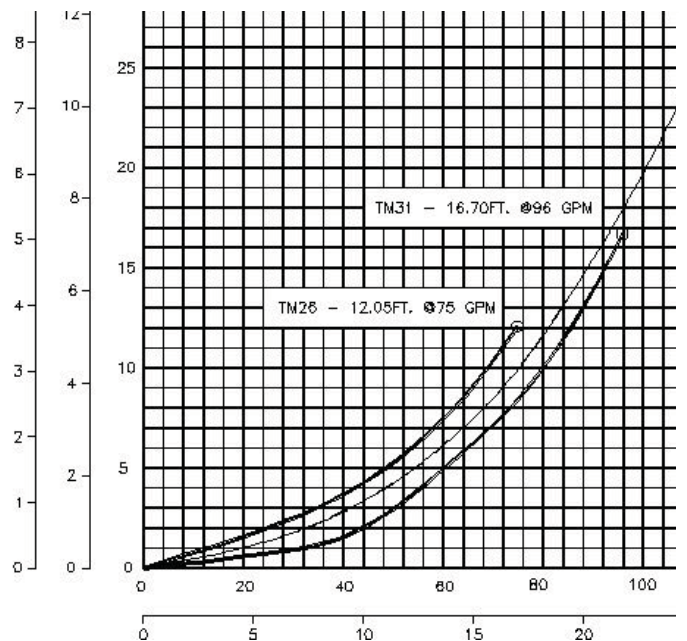
**RINÇAGE** - (sur les soupapes sélectrices à 6 et à 7 voies seulement, non disponible sur les soupapes sélectrices à 4 voies). Cette position remet le lit du filtre en état après le lavage à contre-courant et transporte les débris résiduels au vidange. Le rinçage empêche le retour des saletés dans la piscine, situation qui se produit momentanément chaque fois qu'on change de la position **LAVAGE À CONTRE-COURANT** à la position **FILTRE**.

**TEST** - (sur les soupapes sélectrices à 6 et à 7 voies seulement, non disponible sur les soupapes sélectrices à 4 voies). Cette position empêche les retours d'eau dans la piscine pendant l'entretien de la pompe si le filtre se trouve en bas du niveau de l'eau.

### DÉMARRAGE DU FILTRE

- Réglez la soupape sélectrice à la position DRAINAGE.
- Démarrez la pompe.
- Lorsqu'un bon écoulement est obtenu, continuez de pomper pendant une minute encore ou jusqu'à ce que l'eau usée soit claire.
- Arrêtez la pompe. Réglez la soupape sélectrice au mode **LAVAGE À CONTRE-COURANT** et redémarrez la pompe.
- Observez l'eau qui s'écoule. Quand l'écoulement devient clair (après environ 2 à 3 minutes), **ARRÊTEZ** la pompe.
- Si votre soupape sélectrice n'est pas munie de cycle RINÇAGE, procédez à l'ÉTAPE 7. Si votre soupape sélectrice est munie d'un cycle RINÇAGE, réglez-la à cette position, redémarrez la pompe et laissez-la fonctionner pendant 20 secondes. **ARRÊTEZ** la pompe.
- Réglez la soupape sélectrice au mode **FILTRE** et redémarrez la pompe.

### COURBE DE CHUTE DE PRESSON DU FILTRE SANDSTORM



### COMPOSITION CHIMIQUE DE L'EAU

L'utilisation de produits chimiques appropriés est compatibles et essentielle pour maintenir une eau propre et hygiénique, pour prévenir la dissémination d'infections par des germes et pour contrôler la croissance d'algues qui peuvent gêner l'apparence et la jouissance de votre piscine ou spa. Le chlore est le produit chimique le plus souvent utilisé pour assurer une eau propre et hygiénique. On peut utiliser le chlore sec ou liquide, mais il faut l'ajouter tous les jours, car il se disperse avec la saleté et les germes et s'évapore au soleil et dans le vent. Il est également important de maintenir un niveau adéquat d'acidité et d'alcalinité de l'eau. Il s'agit du niveau pH de votre piscine: un pH 7,0 est neutre. Si le niveau pH est supérieur à 7,0, l'eau est trop alcaline; si le niveau pH est inférieur à 7,0, l'eau est trop acide. La plage recommandée est de 7,2 à 7,4. Consultez le détaillant de piscines/spas de votre localité pour obtenir des renseignements complets sur la manière d'appliquer et d'utiliser les produits chimiques.

### ENTRETIEN DU FILTRE

Le réservoir du filtre et son contenu ne devraient pas exiger des soins autres que le lavage à contre-courant, pourvu que la composition de l'eau est chimiquement équilibrée en tout temps et qu'elle ne contient pas de fortes doses d'agents corrosifs.

### NETTOYAGE DU FILTRE (Lavage à contre-courant)

Quand le nouveau filtre est mis en service, notez la valeur lue sur le manomètre. Au fur et à mesure que les saletés s'accumulent dans le filtre, cette valeur augmentera. Quand la lecture indique 6 à 8 PSI au-dessus de la valeur originale, il est temps d'effectuer un lavage à contre-courant comme suit:

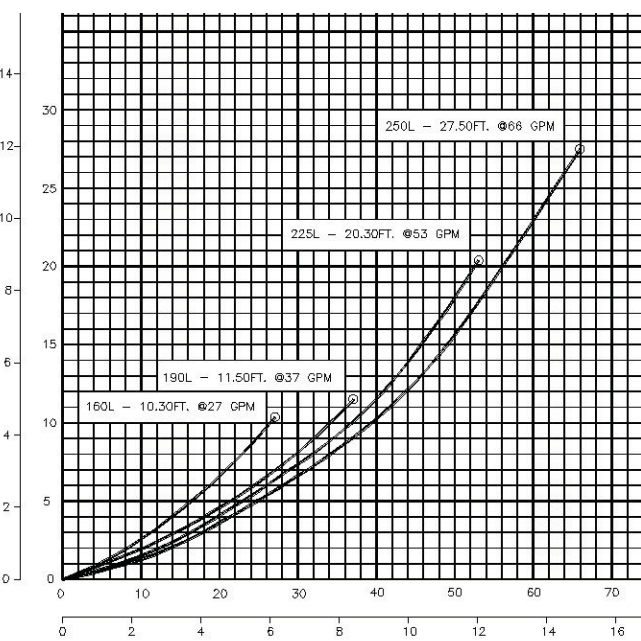
- ARRÊTEZ** la pompe.
- Réglez la soupape sélectrice au mode **LAVAGE À CONTRE-COURANT** et démarrez la pompe.
- Observez l'eau qui s'écoule. **ARRÊTEZ** la pompe quand l'eau prend un aspect laiteux (environ une à trois minutes).
- Si votre soupape sélectrice n'est pas munie du cycle RINÇAGE, procédez à l'étape 5. Si votre soupape sélectrice est munie du cycle RINÇAGE, réglez-la à cette position, redémarrez la pompe et laissez-la fonctionner pendant 20 secondes. **ARRÊTEZ** la pompe.
- Réglez la soupape sélectrice au mode **FILTRE** et redémarrez la pompe pour reprendre le filtrage. **N'utilisez pas d'aspirateur de piscine pendant que le filtre est en lavage à contre-courant.**

### HIVÉRISATION

Consultez votre détaillant pour des conseils au sujet de l'hivernisation de votre équipement si vous habitez dans une zone de gel. Ses connaissances approfondies de votre équipement en font la meilleure source d'information pour vous. Suivez ses recommandations; si celles-ci comprennent le drainage du système de filtration, procédez aux étapes suivantes:

- LAVEZ À CONTRE-COURANT** pendant 3 à 5 minutes puis réglez la soupape sélectrice au mode **HIVÉRISATION**.
- Pour drainer le système, enlevez le bouchon de vidange et/ou retirez les capuchons des tuyaux du filtre, de la pompe et des équipements de décontamination. Rangez les bouchons dans un endroit sec pour ne pas les perdre.

### COURBE DE CHUTE DE PRESSON DE LA FAMILLE DES FILTRES À SABLE



### SERVICES ET PIÈCES DE RECHANGE

Faites appel à votre détaillant local pour tous les services car ses connaissances approfondies de votre équipement en font la meilleure source d'information pour vous. Commandez toutes les pièces de rechange chez votre détaillant. Donnez-lui les renseignements suivants quand vous commandez des pièces de rechange: données de la plaque signalétique de l'équipement et description de la pièce.

### DÉPANNAGE

**AVERTISSEMENT!** Coupez le courant au niveau du disjoncteur du circuit général du moteur afin d'éviter les risques de choc électrique.

### RETOUR DU SABLE DANS LA PISCINE

Le sable est trop fin; nous recommandons d'utiliser le sable de silice no.20 de 0,40 mm à 0,50 mm. Vérifiez; Le débit est trop élevé. Ajustez la soupape d'échappement pour diminuer le débit; Le lit de sable est calcifié. Changez le sable; Conduites secondaires fissurées ou lâches. Vérifiez ou remplacez; Collecteur fissuré. Vérifiez ou remplacez; Tuyau du réservoir cylindrique fissuré ou instable dans le collecteur. Vérifiez ou remplacez; Trop de sable; niveau plus haut que le panier sur le tuyau du réservoir cylindrique. Vérifiez.

### RETOUR DES ALGUES ET DES DÉBRIS DANS LA PISCINE

Le tuyau du réservoir cylindrique supérieur s'est détaché du fond de la soupape. Allongez le tuyau du réservoir cylindrique supérieur; Le tuyau du réservoir cylindrique supérieur s'est détaché du haut du panier. Vérifiez; Quantité trop grande de saletés; Nombre trop élevé de baigneurs; Algues. Faire un traitement choc au chlore et utiliser un purificateur si nécessaire pour enlever les algues; La soupape sélectrice n'est pas verrouillée en place. Vérifiez.

### PRESSON EXCESSIVE DANS LE FILTRE

Filtre sale. Lavez à contre-courant; revérifiez la pression; Lavez à contre-courant l'adaptateur de l'orifice de "retour" de la soupape sélectrice. Vérifiez; Lit de sable calcifié. Vérifiez et remplacez au besoin; Utilisez les produits Soft Swim, Baquacil. Utilisez les nettoyeurs Baquacil.

### PIÈCES POUR LES MODÈLES SANDSTORM 26, 31 ET 36

FIG. N°	PIÈCE N°	DESCRIPTION
1	12-1146-09-R	Base TM26 et TM36 (utiliser 12-1161-09-R)
	12-1142-03-R	Base TM31 (avant le 1 <sup>er</sup> mars 2003)
	12-1161-09-R	Base TM26, 31, et 36 (après le 1 <sup>er</sup> mars 2003)
2	9408-6457-R	Réservoir TM26 avec base et drain
	9408-7031-R	Réservoir TM31 avec base et drain
5	9408-7160-R	Réservoir TM36 avec base et drain
	16-1077-08-R	Panier de l'organe de dérivation TM26/TM31
6	16-1077-07-R	Panier de l'organe de dérivation TM36
7	9193-4182-R	Manomètre
8	39-0006-09-R	Soupape sélectrice de 2 po
	47-0364-05-R	Joint torique TM26/31
9	47-6172-04-R	Joint torique TM36
	85-8139-02-R	Crampon de serrage à courroie en V
10	85-8533-00-R	Busse
11	14-4254-09-R	Bague d'arrêt de la busse
12	85-8263-00-R	Bouchon de drain avec joint d'étanchéité
13	85-8263-00-R20	Bouchon de drain avec joint d'étanchéité (20 par paquet)
	42-3894-00-K	Drain de sortie TM26 avec conduites secondaires à raccord-pression (convient à tous les codes de date)
14	42-3894-10-K	Drain de sortie TM31 avec conduites secondaires à raccord-pression (convient à tous les codes de date)
	42-3894-20-K	Drain de sortie TM36 avec conduites secondaires à raccord-pression (convient à tous les codes de date)
	22-5555-22-R	Bec de remplissage 2 po

### UNITÉS INSTALLÉES AVANT LE 30 JUIN 2003

3	42-3517-00-R8	Trousse de conduites secondaires TM26 (8 unités 83-5322-08) (8 par paquet)
4	42-2978-04-R8	Conduite secondaires TM31 (8 requises) (8 par paquet)
	42-2979-03-R8	Conduite secondaires TM36 (8 requises) (8 par paquet)
		Conduite TM26 (Voir #13 ci-dessus)
		Conduite TM31 (Voir #13 ci-dessus)
		Conduite TM36 (Voir #13 ci-dessus)

### UNITÉS INSTALLÉES APRÈS LE 30 JUIN 2003

3	85-5313-04-R8	Conduite secondaire à raccord-pression TM26 (8 par paquet)
4	42-3892-05-R8	Conduite secondaire à raccord-pression TM31 (8 par paquet)
	42-3893-04-R8	Conduite secondaire à raccord-pression TM36 (8 par paquet)
	42-3888-01-R	Assemblage de la conduite et du collecteur à raccord-pression TM26
	42-3889-08-R	Assemblage de la conduite et du collecteur à raccord-pression TM31
	42-3890-07-R	Assemblage de la conduite et du collecteur à raccord-pression TM36

### FUITE DU FILTRE

Réservoir fissuré à cause du gel. Remplacez; Bouchon de drain manquant ou détaché. Vérifiez; Joint torique entre le réservoir et la soupape endommagé, tordu ou insuffisamment graissé. Vérifiez.

### FUITE DE LA SOUPAPE SÉLECTRICE

Soupape réglée entre deux positions. Vérifiez; Joint torique de l'organe de dérivation endommagé. Remplacez; Joint torique entre la soupape et le boîtier endommagé. Vérifiez ou remplacez; Joint torique entre la soupape et le réservoir endommagé, tordu ou insuffisamment graissé. Vérifiez; Manomètre installé sans scellant ou ruban teflon. Vérifiez.

### LE FILTRE NE GARDE PAS L'EAU PROPRE

Filtre sale. Lavez à contre-courant ou changez le sable; revérifiez la pression; Croissance d'algues dans la piscine. Faire un traitement choc au chlore et utiliser un purificateur au besoin, ensuite nettoyer avec l'aspirateur; L'eau est sale au départ. Continuez le filtrage et nettoyez au besoin; Mauvais type de sable utilisé. Nous recommandons du sable de silice no. 20 de 0,40 mm à 0,50 mm. Vérifiez; Nombre trop élevé de baigneurs; Pas assez de sable dans le filtre. Vérifiez ou remplissez au niveau approprié; Lit de sable calciné. Vérifiez et remplacez le sable au besoin; La soupape sélectrice est réglée entre deux positions. Vérifiez; Débit trop faible; Lavez à contre-courant l'adaptateur de l'orifice d'entrée de la pompe, situé sur la soupape sélectrice. Vérifiez.

### RETOUR DE SABLE LORS DU LAVAGE À CONTRE-COURANT

L'adaptateur de lavage à contre-courant est manquant sur la soupape. Vérifiez la soupape. Avez-vous changé le sable récemment et en avez-vous trop mis?; La pompe est surdimensionnée. Comparez la capacité en gal/min de la pompe avec celle du filtre. Vérifiez; Un adaptateur de lavage à contre-courant plus petit peut être nécessaire dans des cas extrêmes. L'indice PSI est important.

**REMARQUE: Si ces recommandations ne résolvent pas vos problèmes, veuillez faire appel à votre détaillant local pour des services de réparation.**

