



ELEMENT FILTER
OWNER'S MANUAL

FILTRE À ÉLÉMENT
MANUEL DU PROPRIÉTAIRE

FILTRO DE ELEMENTO
MANUAL DEL PROPIETARIO



4000 Boul. Casavant O. St-Hyacinthe,
(Québec) Canada J2S 9E3
Tél : 450-250-4500 : Fax : 450-250-4501
Sans Frais ■ Toll Free : 1-866-979-4501
<http://www.carvinpool.com>

READ AND FOLLOW THESE SAFETY INSTRUCTIONS:

CAUTION! Always make sure the filter Ring-Lok is tightened at least 1 turn prior to operating pump. **Do Not** remove or adjust the Ring-Lok while the pump is running; doing so may cause the filter cover to blow off, causing injury or property damage.

CAUTION! To reduce risk of injury, do not permit children to use this product unless they are closely supervised at all times.

CAUTION! Locate the system at least five feet (1.5 m) from the pool to prevent it from being used as a means of access to the pool by young children. (See ANSI/NSPI-8 1996 "Model Barrier Code For Residential Swimming Pools, Spas and Hot Tubs").

INSPECTION

Examine the equipment when received. Notify your dealer or carrier of any damage or missing parts. Verify that equipment is of size and model specified.

INSTALLATION LOCATION

Install the unit on a solid foundation as close to pool as possible, but keep at a minimum distance of five feet (1.5 m). (See above Warning). Give consideration to drainage and allow for easy access during servicing and winterizing.

PUMP SELECTION

A full line of pool/spa pumps are available for installation with these filters. For those installations where the equipment will be placed above the water level, a self-priming pump should be selected. Ask your dealer to determine the proper size pump for your application. Consideration must be given to pipe size and distance from pool and spa and friction losses of associated equipment.

**GENERAL PLUMBING
FOR THREADED CONNECTIONS**

Use only Teflon tape or equivalent on threaded plumbing connections. Other pipe compounds may damage threads. We do not recommend the use of silicone or petroleum based compounds. DO NOT OVER-TIGHTEN.

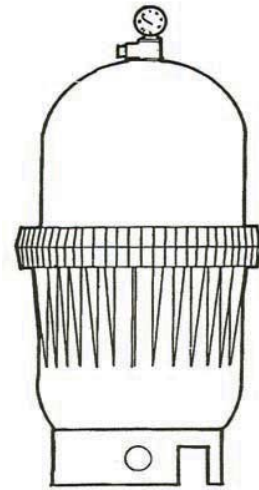
FILTER PREPARATION

1. Carefully remove filter from carton and place in its permanent location.
2. Connect to plumbing as required for your installation. Seal threaded connections with enclosed plumber's tape or equivalent.
3. Remove air bleed valve, pressure gauge, 2" NPT plug, and plumber's tape from hardware kit. Apply several wraps of the enclosed plumber's tape to the pressure gauge threads and install the gauge into the top of the air bleed valve being careful not to over-tighten. Apply several wraps of the plumber's tape to the 2" NPT plug and install the plug into the waste port of the filter.

NOTE: The waste port and pump port are interchangeable, if this plumbing arrangement better suits the installation.

4. Install air bleed valve/pressure gauge assembly on top of filter and hand tighten only.

NOTE: Plumber's tape is not needed at this connection since the 1/2" I.D. O-ring seals the joint. Check to be sure that this O-ring is installed on the air bleed valve before you attach the valve to the filter top.



5. Remove Ring-Lok and tank top.
6. Remove 20" O-ring from sealed package and install in the O-ring groove located just above the tank bottom threads.
7. Place tank top on tank bottom and make the tank seal by squeezing flanges together with your hands.
8. Install Ring-Lok on tank bottom.
9. Tighten Ring-Lok down at least 1 full turn.

FILTER START UP

1. Open air bleed valve.
2. Start pump.
3. Close air bleed valve after steady stream of water emerges and record gauge reading.

WINTERIZING

Consult your dealer for advice on winterizing your equipment if freezing temperatures occur in your locality. Their knowledge of your equipment makes them the best qualified source of information. Follow their recommendations, and if these include draining the filter, open the air vent and remove the drain plug. Remove and clean the elements (see section on cleaning elements) and store them in a dry area out of direct sunlight.

WATER CHEMISTRY

A proper and consistent use of chemicals is necessary to maintain clean, sanitary water, prevent the spread of germ infection and control the growth of algae which can spoil the appearance and enjoyment of your pool or spa. It is also important that the correct level of acidity or alkalinity of the pool water be maintained. This is the pH of your pool with a pH reading of 7.0 being neutral. Readings above pH 7.0 are alkaline and readings below are acidic. A desirable range for your water is 7.2 to 7.4.

FILTER MAINTENANCE

Filter tank and contents should not require attention - provided that the water is kept in continuous chemical balance without heavy dosages of corrosive chemicals. Filter element cleaning is recommended when the pressure gauge reading rises 10 PSI above the initial reading. **NOTE:** The element support assembly automatically purges any accumulated air to maintain the internal water level up to the top of the cartridge. We, however, recommend periodic manual opening of the vent plug to purge any small amounts of air accumulated under the cover.

PARTES PARA MODELO TRI-C.L.O.P.S. ELEMENTO DEL FILTRO TC330-MB, TC440-MB Y TC550-MB

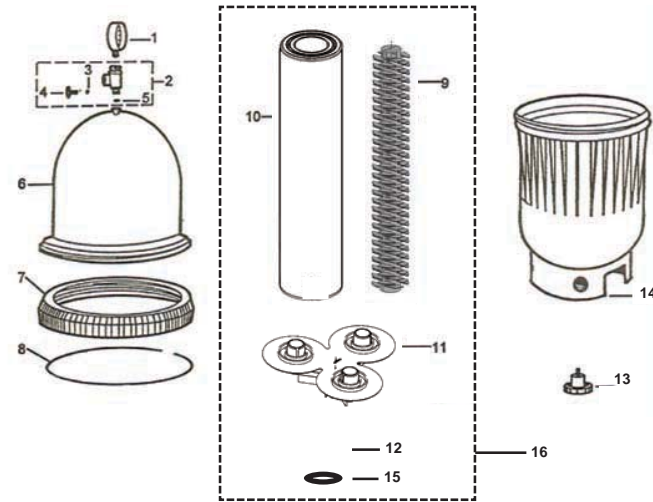
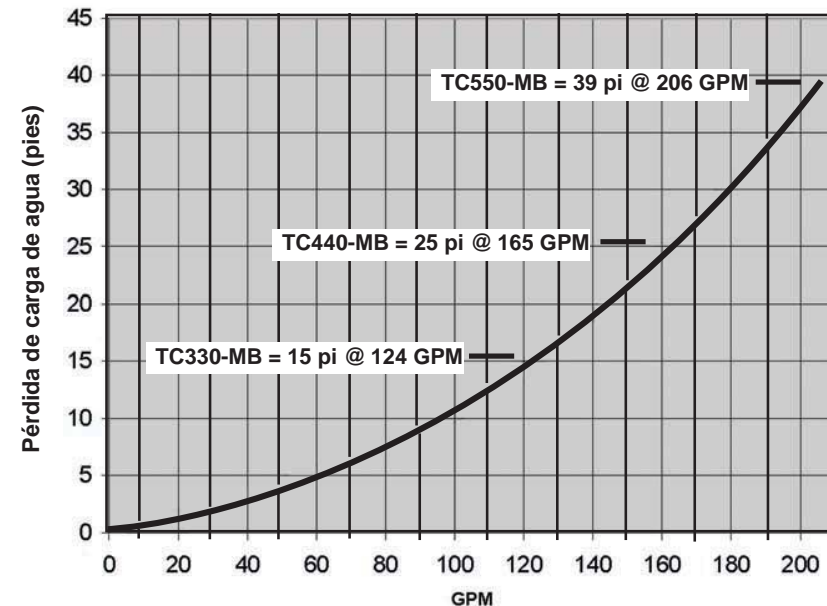


FIG. NO.	PARTE NO.	DESCRIPCIÓN
1	9193-4158-R	Medidor de Presión 0-60#
2	42-2972-00-R	Purga de Aire en T 1/4 -PVC (Ensamblaje incluye #3, #4, #5)
3	47-0106-08-R	Junta Tórica 3/16 x 3/8 x 3/32 B-N
4	39-2547-01-R	Manija de válvula de purga de aire.
5	47-0112-00-R	Junta Tórica 1/2 x 11/16 x 3/32 B-N
6	42-2930-01-R	Parte superior TC 330 pies cuadrados
	42-2931-00-R	Parte superior TC 440 pies cuadrados
	42-2932-09-R	Parte superior TC 550 pies cuadrados
7	42-2935-06-R	Tuerca de Filtro TC 11372 Aluminio
8	47-0569-99-R	Junta Tórica TC 20" x 1/2 Nitrilo
9	42-3799-20-R	Ensamblaje de Soporte de Tubo Vertical TC330-MB. (3 por unidad)
	42-3799-21-R	Ensamblaje de Soporte de Tubo Vertical TC440-MB. (3 por unidad)
	42-3799-22-R	Ensamblaje de Soporte de Tubo Vertical TC550-MB. (3 por unidad)
10	42-3799-23-R	Elemento, TC330-MB = 110 pies cuadrados (3 por unidad).
	42-3799-24-R	Elemento, TC440-MB = 147 pies cuadrados (3 por unidad).
	42-3799-25-R	Elemento, TC550-MB = 183 pies cuadrados (3 por unidad).
11	42-3799-10-R	Colector de elemento TC
12	47-0212-66-R	Junta tórica de .986 x 1.276 x .145 BN
13	42-3653-04-R	Tornillo de Mariposa para Colector TC con arandela
14	42-2934-07-R	Parte Inferior TC 11371
15	47-0228-68-R	Joint torique 2 1/4 x 2 1/2 x 1/8 BN
16	42-3702-10-K	TC330-MB Equipo Interno (Incluye #9 (3 por unidad), #10 (3 por unidad), #11, #12 y #15)
	42-3702-15-K	TC440-MB Equipo Interno (Incluye #9 (3 por unidad), #10 (3 por unidad), #11, #12 y #15)
	42-3702-20-K	TC550-MB Equipo Interno (Incluye #9 (3 por unidad), #10 (3 por unidad), #11, #12 y #15)

PRUEBA DE CAIDA DE PRESIÓN ROUND TRI-C.L.O.P.S.



REMOVING AND CLEANING FILTER ELEMENT

- Cleaning is required when pressure gauge reading is approximately 10 PSI higher than the gauge reading when the filter was first intalled.
- Open air bleed valve.
- Remove Ring-Lok.
- Separate tank halves with Ring-Lok as follows:
 - Locate any of the four (4) square "teeth" on the bottom of the Ring-Lok.
 - Insert one of the "teeth" into the gap/slot between the filter top and bottom. Simply "roll" the Ring-Lok and the "tooth" will lift the filter lid to a point that it can now be easily removed from the filter bottom.
- Remove tank top.
- Lift the three elements off of the internal support tubes and out of the filter body.
- Elements are usually cleaned by the use of the pressure nozzle on a garden hose or a "wand" (available from your pool dealer). For best results, clean from inside out first. Then clean the outside. Direct the spray at the element at an angle. Occasionally calcium deposits may be so excessive that a cleaning agent will be necessary. Also, algae, suntan oils and body oil can form a coating on the element which hosing cannot remove. In such cases, soak the element in a solution of filter element cleaner which can be obtained from your spa and pool dealer.
- Remove large rubber O-ring from tank bottom and clean the O-ring. Clean tank bottom and tank top where O-ring seal is located. Lubricate O-ring with petroleum jelly and reinstall on tank.
- Slide the clean element over the support tubes making sure the element bottom is seated securely.
- Place tank top on tank bottom and make tank seal by squeezing tank halves together.
- Install Ring-Lok.
- Perform "Filter Start-Up" Procedure.

TROUBLE SHOOTING

FILTER TANK LEAKS WATER

- Split in tank due to freezing or other damage. Replace.
- Lid O-ring damaged, twisted, or not lubricated. Inspect.
- Ring-Lok not completely engaged. Inspect and tighten to built-in "stop".
- Air bleed valve loose or O-ring missing. Inspect.
- Inlet/outlet fittings loose or not sealed. Inspect.

DEBRIS BACK TO POOL

- Cracked filter element endcap. Inspect and replace if necessary.
- Filter element isn't seated properly on support tube. Inspect.
- Holes in filter cloth. Inspect or replace.

FILTER DOESN'T KEEP WATER CLEAN

- See "DEBRIS BACK TO POOL" section above.
- Water started out dirty. Continue to filter and clean as necessary.
- Heavy swimmer load. Clean filter as necessary. 10 PSI rule.
- Improper or inadequate chemical application. Check with your local pool dealer for proper chemical maintenance.

PRESSURE DOESN'T DROP IN FILTER AFTER CLEANING

- Clogged filter element. Clean element in filter cleaner or replace.
- Gate valve closed in return line. Inspect.
- Return line partially clogged. Inspect.
- Return fitting clogged. Inspect.

**CARVIN POOL EQUIPMENT INC.
Limited Warranty**

Carvin Pool Equipment inc. ("Carvin Pool") warrants "Carvin" pool products to be free of defects in material and workmanship for a period of 24 months from the date of purchase with the following exceptions:

Light Bulbs – Full Moon Watercolor LED light bulbs are warranted for 12 months from the date of purchase; incandescent bulbs are warranted for 90 days from the date of purchase.

Misc. - Filter elements, DE grids, white-goods, strainer baskets, strainer basket "flap" and "priming tube", pressure gauges, square rings, o-rings, gaskets, and all replacement parts are warranted for 12 months from the date of purchase.

CONDITIONS IN ORDER TO EXERCISE THE WARRANTY:

In order to activate this 24 month warranty, "Carvin pool" products must be registered with "Carvin pool" by either of the following methods:

- Mail-in the Warranty Registration Card
- Online at www.carvinpool.com

All defects must be denounced within 72 hours in order to avoid the spreading to other equipment, failing which, the present warranty will not be honoured. This warranty is non transferable and extends only to the original retail buyer and only during the time in which the original retail buyer occupies the site where the product was originally installed. "Carvin pool" warranty obligation with regard to equipment which it does not itself manufacture is limited to the warranty actually extended to "Carvin pool" by its suppliers (i.e. motors).

This warranty applies to products used in swimming pools, spas, & aquaculture applications only and does not apply to any product which has been subjected to negligence, alteration, accident, abuse, misuse, improper installation, abrasives, corrosion, improper voltage supply, vandalism, civil disturbances, or acts of God (including but not limited to damage caused by freezing, lightning strikes, and other damage caused by catastrophic events). The only warranties authorized by "Carvin pool" are those set forth herein. "Carvin pool" does not authorize other persons to extend any warranties with respect to its products, nor will "Carvin pool" assume liability for any unauthorized warranties made in connection with the sale of its products. "Carvin pool" will not be responsible for any statements that are made or published, written or oral, which are misleading or inconsistent with the facts as published in the literature or specifications furnished by "Carvin pool".

WARRANTY CLAIM PROCEDURE

Warranty claims shall be made by contacting the installer/seller, builder, dealer, or retailer (point of purchase) or the "Carvin pool" pool products distributor in your area. All equipment must be inspected by a local "Carvin pool" authorized representative or at the factory before warranty is authorized. All charges or expenses for freight to and from the factory, removal and reinstallation of the products, or installation of a replacement product are the responsibility of the purchaser unless otherwise expressly authorized in writing by "Carvin pool". "Carvin pool", at its discretion, may repair or replace free of charge (F.O.B. factory in St-Hyacinthe, Qc, Canada) any product that proves defective within the warranty period, or it may issue credit in the amount of the invoice of the defective equipment in lieu of its repair or replacement. "Carvin pool" reserves its right to substitute new or improved equipment on any replacements.

PARTS FOR TRI-C.L.O.P.S. ELEMENT FILTER MODELS TC330-MB, TC440-MB & TC550-MB

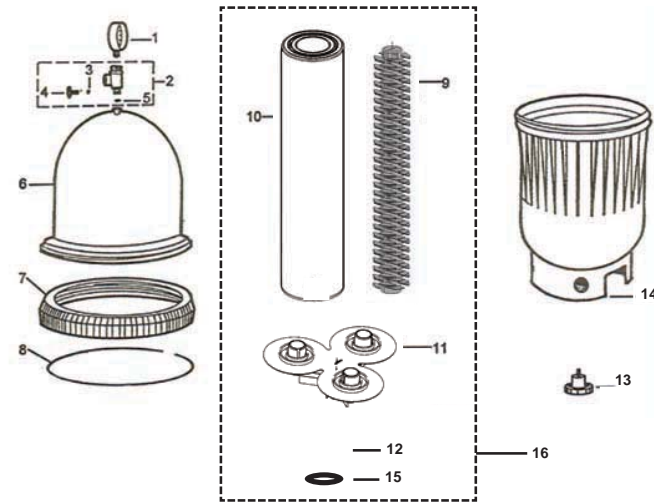
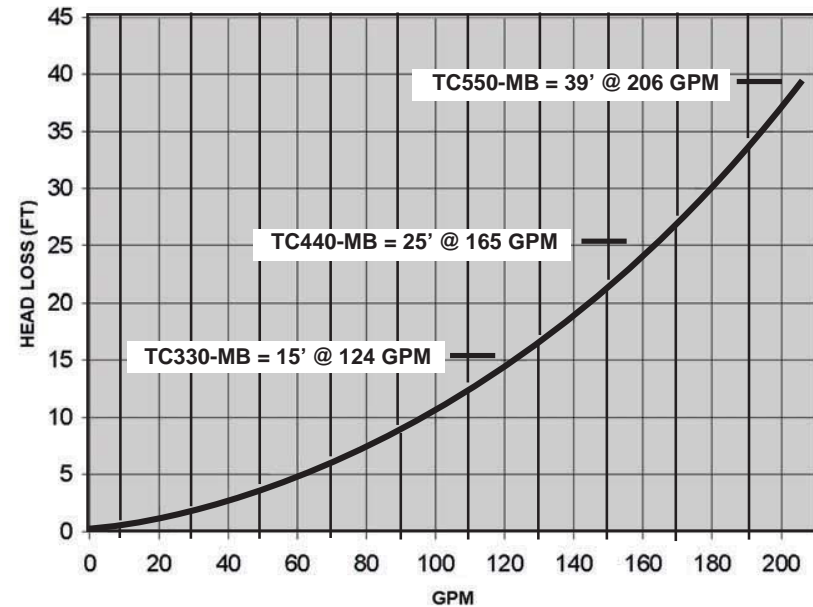


FIG. NO.	PART NO.	DESCRIPTION
	9193-4158-R	Pressure Gauge 0-60#
	42-2972-00-R	Tee Air Bleed 1/4-PVC (Assy. includes #3, #4, #5)
1	47-0106-08-R	O-ring 3/16 x 3/8 x 3/32 B-N
2	39-2547-01-R	Air Bleed Valve Knob-Poly
3	47-0112-00-R	O-ring 1/2 x 11/16 x 3/32 B-N
4	42-2930-01-R	TC Top 330 sq. ft.
5	42-2931-00-R	TC Top 440 sq. ft.
6	42-2932-09-R	TC Top 550 sq. ft.
	42-2935-06-R	Nut TC Filter 11372 Alum.
	47-0569-99-R	TC O-ring 20" x 1/2 Nitril
7	42-3799-20-R	TC330-MB Standpipe Support Assy. (3 per unit)
8	42-3799-21-R	TC440-MB Standpipe Support Assy. (3 per unit)
9	42-3799-22-R	TC550-MB Standpipe Support Assy. (3 per unit)
	42-3799-23-R	Element, TC330-MB = 110 sq. ft. (3 per unit)
	42-3799-24-R	Element, TC440-MB = 147 sq. ft. (3 per unit)
10	42-3799-25-R	Element, TC550-MB = 183 sq. ft. (3 per unit)
	42-3799-10-R	TC Element manifold
	47-0212-66-R	O-Ring .986 x 1.276 x .145 BN
11	42-3653-04-R	TC Manifold Thumb Screw with washer
12	42-2934-07-R	TC Bottom 11371
13	47-0228-68-R	O-Ring 2-1/4 x 2-1/2 x 1/8 B
14	42-3702-10-K	TC330-MB Internal Kit (Includes #9 (3 per unit), #10 (3 per unit), #11, #12 and #15)
15	42-3702-15-K	TC440-MB Internal Kit (Includes #9 (3 per unit), #10 (3 per unit), #11, #12 and #15)
16	42-3702-20-K	TC550-MB Internal Kit (Includes #9 (3 per unit), #10 (3 per unit), #11, #12 and #15)

ROUND TRI-C.L.O.P.S. PRESSURE DROP TEST



QUITANDO Y LIMPIANDO EL ELEMENTO DEL FILTRO

- Se requiere de una limpieza cuando la lectura del medidor de presión es de aproximadamente 10 PSI más alto que la lectura del medidor cuando el filtro se instala por primera vez.
- Abra la válvula de purga de aire.
- Quite el Ring-Lok.
- Separe las divisiones del tanque con el Ring-Lok como se indica a continuación:
 - Ubique cualquiera de los cuatro (4) "dientes" cuadrados sobre la parte inferior del Ring-Lok.
 - Inserte uno de los "dientes" dentro de la abertura/ranura entre la parte superior e inferior del filtro. Simplemente "ruede" el Ring-Lok y el "diente" levantará la tapa del filtro a un punto en el cual se pueda quitar fácilmente ahora desde el fondo del filtro.
- Quite la parte superior del tanque.
- Levante los tres elementos de los tubos de soporte internos y fuera del cuerpo del filtro.
- Los elementos son usualmente limpiados por el uso de la boquilla de presión sobre una manguera de jardín o una "varilla" (disponible por su distribuidor de piscinas). Para mejores resultados, limpie primero desde dentro. Luego limpie el exterior. Dirija el rociado hacia el elemento a un ángulo. Ocasionalmente los depósitos de Calcio pueden ser tan excesivos que será necesario un agente de limpieza. También las algas, aceites de bronceado y aceite de cuerpo pueden formar un recubrimiento sobre el elemento cuya capa no se puede quitar. En dichos casos, remoje el elemento en una solución de limpiador de elemento de filtro la cual se puede obtener de su distribuidor de piscinas o spa.
- Quite la Junta tórica grande de caucho de la parte inferior del tanque y limpie la junta tórica. Limpie el fondo y la parte superior del tanque en donde está localizado el sello de la junta tórica. Lubrique la Junta Tórica con petrolato y reinstálela sobre el tanque.
- Deslice el elemento limpio sobre los tubos de soporte asegurándose de que el fondo del elemento se fije de modo seguro.
- Coloque la parte superior del tanque sobre la parte inferior del tanque y haga el sellado del tanque presionando juntas con sus manos las divisiones del tanque.
- Instale el Ring-Lok.
- Realice el Procedimiento de "Encendido del Filtro".

LOCALIZACIÓN DE AVERÍAS

EL TANQUE DEL FILTRO GOTEA AGUA

- Hendidura en el tanque debido a congelamiento u otro daño. Reemplazar.
- Junta tórica de la tapa dañada, torcida o no lubricada. Inspeccione.
- Ring-Lok no enganchado completamente. Inspecciónelo y ajústelo a "topes" incorporados.
- Válvula de purga de aire suelta o Junta tórica faltante. Inspeccione.
- Adaptaciones de entrada/salida sueltas o no selladas. Inspeccione.

LOS DESPERDICIOS VUELVEN A LA PISCINA

- Capacete del elemento del filtro está agrietado. Inspeccione o reemplace si es necesario.
- El elemento del filtro no está fijado apropiadamente sobre el tubo de soporte. Inspeccione.
- Agujeros en la tela del filtro. Inspeccione o reemplace.

EL FILTRO NO MANTIENE EL AGUA LIMPIA

- Ver la sección anterior de "LOS DESPERDICIOS VUELVEN A LA PISCINA"
- El agua liberó suciedad. Continúe filtrando y limpiando como sea necesario.
- Carga de baño pesada. Limpie el filtro como sea necesario. Regla de 10 PSI.
- Aplicación química inadecuada o inapropiada. Verifique con su distribuidor de piscinas local para un mantenimiento apropiado.

LA PRESIÓN NO CAE EN EL FILTRO LUEGO DE LA LIMPIEZA

- Elemento del filtro está atascado. Limpie el elemento en el limpiador de filtro o reemplácelo.
- La válvula de la compuerta está cerrada en la línea de retorno. Inspeccione.
- Línea de retorno está parcialmente atascada. Inspeccione.
- Las adaptaciones de retorno están atascadas. Inspeccione.

CARVIN POOL EQUIPMENT INC.
Garantía limitada

CARVIN POOL EQUIPMENT INC. ("Carvin pool") garantiza que los productos para piscinas "Carvin Pool" están exentos de todo defecto de fabricación y de mano de obra durante un período de 24 meses a partir de la fecha de compra. Las excepciones siguientes se aplican:

Bombillas de luz: las bombillas de luz FullMoon Watercolor LED tienen garantía por doce meses desde la fecha de compra; las bombillas de luz incandescentes están garantizadas por 90 días desde la fecha de compra.

Varios: Accesorios para el filtro, mallas DE, línea blanca, cestos para el filtro, solapas y tubos lisos para cestos del filtro, manómetros, anillos cuadrados, arandelas, juntas y todas las partes de repuesto están garantizados por doce meses desde la fecha de la compra.

CONDICIONES PARA PODER EJECUTAR LA GARANTÍA:

Para poder activar esta garantía de 24 meses, los productos "Carvin Pool" deben estar registrados con "Carvin Pool" ya sea por cualquiera de los siguientes métodos:

- Por correo: envíe por correo la Tarjeta de Registro de garantía
- En línea: en www.carvinpool.com

Todos los defectos deben ser reportados dentro de 72 horas para poder evitar la extensión del defecto a otros equipos, si no se cumple con esto la presente garantía no será aceptada. Esta garantía no es transferible y se extiende sólo al comprador minorista original y dura solamente el tiempo durante el cual el comprador minorista original ocupe el lugar donde se instaló en un primer momento el producto. La responsabilidad de garantía de "Carvin Pool" respecto a equipos fabricados por terceros se limita a la garantía expedida a "Carvin Pool" por parte de sus proveedores (por ejemplo: motores).

Esta garantía se aplica a productos utilizados en piscinas, spas y productos de acuicultura solamente y no se aplica a ningún producto que haya sufrido daños, cambios, accidentes, abusos, mal uso, instalación inadecuada, abrasivos, corrosión, voltaje inadecuado, vandalismo, alteraciones, casos de fuerza mayor (que incluyen daños causados por heladas, relámpagos y catástrofes). Las únicas garantías autorizadas por "Carvin Pool" son las que se detallan en este documento. "Carvin Pool" no autoriza a que otras personas - extiendan la garantía de sus productos, ni tampoco asumirá ninguna responsabilidad por garantías no autorizadas, realizadas en relación con la venta de sus productos. "Carvin Pool" no se hará responsable de ninguna declaración hecha o publicada, escrita o verbal, que sea errónea o inconsistente con los hechos publicados en los textos y especificaciones de "Carvin Pool".

PROCEDIMIENTO DE RECLAMO DE GARANTÍA

Los reclamos de garantía deben realizarse contactando al instalador/vendedor, constructor, distribuidor, representante (punto de venta), o bien al distribuidor de productos para piscinas "Carvin Pool" que corresponda a su zona de residencia. Antes de que se autorice la garantía, todos los equipos deben ser revisados o bien en fábrica, o bien por un representante local de "Carvin Pool". Todos los gastos de flete hacia y desde la fábrica, el retiro y la reinstalación de los productos o la instalación del repuesto son responsabilidad del comprador salvo que "Carvin Pool" autorice expresamente lo contrario. "Carvin Pool", sin dejarlo expreso, puede reparar o reemplazar sin cargo (precio de fábrica F.O.B. en St-Hyacinthe, Qc, Canada) cualquier producto que tenga fallas dentro del período de garantía o puede emitir un crédito por la cantidad facturada por el equipo con fallas en lugar de su reparación o reemplazo. "Carvin Pool" se reserva el derecho de sustituir equipo nuevo o mejorado en cualquier reemplazo.

TRI-C.L.O.P.S.

Limpiar con Menos Frecuencia Por Temporada

Filtro de Elemento Manual del Propietario

LEA Y SIGA ESTAS INSTRUCCIONES DE SEGURIDAD:

¡ADVERTENCIA! Siempre asegúrese de que el Ring-Lok esté ajustado al menos una vuelta previo a la bomba de operación. No quite o ajuste el Ring-Lok mientras que la bomba esté en funcionamiento; el hacerlo puede causar que la cubierta del filtro reviente, causando heridas o daños corporales y/o a la propiedad.

¡ADVERTENCIA! Para reducir el riesgo de heridas, no permita que los niños utilicen este producto a no ser que estén supervisados por un adulto en todo momento.

¡ADVERTENCIA! Ubique el sistema por lo menos a cinco pies (1.5 M) de la piscina para prevenir que sea utilizado por niños pequeños como un medio de acceso a la piscina. (Ver ANSI/NSPI-8 1996 "Código de Seguridad de Modelo para Piscinas Residenciales, Bañeras y Tinas Residenciales").

INSPECCIÓN

Examine el equipo cuando lo reciba. Notifique a su distribuidor o transportista de cualquier daño o partes faltantes. Verifique que el equipo sea del tamaño y del modelo especificado.

UBICACIÓN DE LA INSTALACIÓN

Ubique la unidad sobre una base sólida tan cerca de la piscina como sea posible, pero manténgala a una distancia mínima de cinco pies (1.5 m). (Ver Advertencia anterior). Considere el drenaje y permita un acceso fácil durante el mantenimiento y la hibernación.

SELECCIÓN DE LA BOMBA

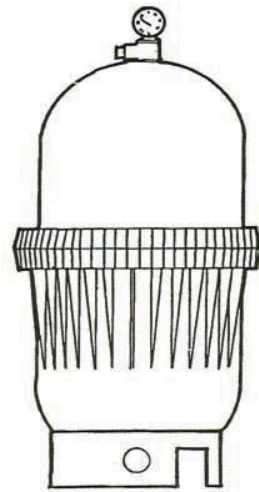
Hay una línea completa de bombas para piscinas/spa disponibles para instalación con estos filtros. Para aquellas instalaciones en donde el equipo se coloque sobre el nivel del agua, se debe seleccionar una bomba de cebado automático. Pregunte a su distribuidor para determinar el tamaño apropiado de su aplicación. Debe darse consideración al tamaño de la tubería y la distancia entre piscina y spa y pérdidas de fricción del equipo asociado.

PLOMERÍA GENERAL PARA CONEXIONES ROSCADAS

Sólo utilice cinta de Teflón o equivalente en conexiones de plomería equivalentes. Otros compuestos de tubería pueden dañar las roscas. No recomendamos el uso de compuestos con base de petróleo o silicona. NO AJUSTE DEMASIADO.

PREPARACIÓN DEL FILTRO

- Quite cuidadosamente el filtro del cartón y colóquelo en su ubicación permanente.
- Entube como sea requerido por su instalación. Selle las conexiones roscadas con cinta de plomería adjunta o equivalente.
- Quite la válvula de purga de aire, medidor de presión, la rosca para tubos cónicos de 2 pulgadas y la cinta de plomería del equipo de herramientas. Aplique algunas envolturas de la cinta de plomería adjunta a las roscas del medidor de presión e instale el medidor dentro de la parte superior de la válvula de purga de aire teniendo cuidado de no ajustar en exceso. Aplique algunas envolturas de la cinta de plomería adjunta a la rosca para tubos cónicos e instale el tapón dentro del puerto de desperdicios del filtro.
- NOTA:** El puerto de desperdicios y el puerto de la bomba son intercambiables, si es que está disposición de la plomería se adapta a la instalación.
- Instale el ensamblaje de la válvula de purga de aire/medidor de presión sobre la parte superior del filtro y sólo ajústelo manualmente.
- NOTA:** La cinta de plomería no se necesita en esta conexión en vista de que el la junta tórica ID de 1/2 pulgada sella la junta. Verifique para estar seguro de que esta Junta tórica esté instalada sobre la válvula de purga de aire antes de adherir la válvula a la parte superior del filtro.



- Quite el Ring-Lok y la parte superior del tanque.
- Quite la junta tórica de 20 pulgadas del empaque sellado e instale la ranura de la junta tórica ubicada justo sobre las roscas del fondo del tanque.
- Coloque la parte superior del tanque sobre la parte inferior del tanque y haga el sellado del tanque presionando juntas con sus manos las bridas.
- Instale la junta tórica sobre la parte inferior del tanque.
- Ajuste el Ring-Lok al menos una vuelta completa.

INICIO DEL FILTRADO

- Abra la válvula de purga de aire.
- Encienda la bomba.
- Cierre la válvula de purga de aire después de que emerja una corriente de agua constante y registre la lectura del medidor.

HIBERNACIÓN

Consulte o pida consejo a su distribuidor sobre hibernar su equipo si ocurren temperaturas de congelamiento en su localidad. Su conocimiento sobre su equipo lo convierte en la fuente de información mejor calificada. Siga sus recomendaciones, y si estas incluyen el drenar el sistema de filtrado, abra el orificio de ventilación y quite el tapón de drenaje. Quite y limpie los elementos (ver sección sobre limpieza de elementos) y guárdelos en un área seca lejos de la luz directa del sol.

QUÍMICA DEL AGUA

Un uso apropiado y consistente de químicos es necesario para mantener un agua limpia y salubre, prevenir una propagación de enfermedades y controlar el crecimiento de algas las cuales pueden dañar la apariencia y disfrute de su piscina o bañera. También es importante que se mantenga el nivel correcto de acidez o alcalinidad del agua de la piscina. Este es el pH de su piscina, siendo el pH con una lectura de 7.0 neutral. Las lecturas por encima de pH 7.0 son alcalinas y las lecturas por debajo son ácidas. Una extensión deseable de su agua es de 7.2 a 7.4.

MANTENIMIENTO DEL FILTRO

El tanque del filtro y los contenidos no deberían requerir atención – siempre que el agua se mantenga en un equilibrio químico continuo sin fuertes dosis de químicos corrosivos. Se recomienda la limpieza de elementos del filtro cuando la lectura del medidor de presión alcance 10 PSI sobre la lectura inicial.

NOTA: El ensamblaje de soporte del elemento purga automáticamente cualquier aire acumulado para mantener el nivel de agua interna por encima del cartucho. Sin embargo, nosotros recomendamos una apertura manual periódica del tapón de ventilación para purgar cualquier cantidad pequeña de aire acumulado debajo de la cubierta.

TRI-C.L.O.P.S.

NETTOYEZ MOINS SOUVENT CHAQUE SAISON

Filtre à élément Manuel du propriétaire

LISEZ ET RESPECTEZ CES CONSIGNES DE SÉCURITÉ:

AVERTISSEMENT! Assurez-vous toujours que le Ring-Lok du filtre est resserré d'un tour complet avant de faire fonctionner la pompe. **Ne pas** enlever ou ajuster le Ring-Lok pendant que la pompe est en marche; le couvercle du filtre pourrait éclater, causant des blessures ou des dommages matériels.

AVERTISSEMENT! Afin de réduire le risque de blessures, ne pas permettre aux enfants d'utiliser ce produit, sauf sous surveillance étroite en tout temps.

AVERTISSEMENT! Installez le système à au moins cinq pieds (1,5 m) de la piscine afin d'éviter que de jeunes enfants ne l'utilisent comme moyen d'accéder à la piscine. (Voir ANSI/NSPI-8 1996 «Normes pour barrières de piscines résidentielles, spas et cuves thermales»).

INSPECTION

Examinez l'équipement à la réception. Avertissez votre détaillant ou le transporteur de tout dommage encouru ou de toute pièce manquante. Vérifiez que l'équipement corresponde aux dimensions et au modèle précisés.

EMPLACEMENT DE L'INSTALLATION

Placez l'appareil sur une base solide le plus près possible de la piscine, mais à une distance minimale de cinq pieds (1,5 m). (Voir la mise en garde ci-dessus). Tenez compte du drainage et laissez un accès facile pour l'entretien et l'hivernisation.

CHOIX DE LA POMPE

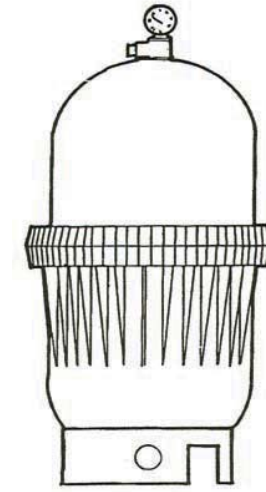
Une large gamme de pompes pour piscines/spas est disponible pour l'installation de pair avec ces filtres. Pour les installations où l'équipement sera placé au-dessus du niveau de l'eau, une pompe auto-amorçante devrait être choisie. Demandez à votre détaillant de déterminer la taille appropriée de la pompe selon votre utilisation. Portez attention à la dimension des conduits et leur distance de la piscine et du spa ainsi qu'aux pertes de pression des équipements associés.

TUYAUTERIE GÉNÉRALE JOINTS FILETÉS

Utilisez uniquement du ruban Téflon^{MD} ou l'équivalent pour raccorder les joints filetés. D'autres composés pour tuyaux pourraient endommager le filetage des joints. Nous ne recommandons pas l'usage de silicone ou de composés à base de pétrole. NE SERREZ PAS EXCESSIVEMENT.

PRÉPARATION DU FILTRE

- Retirez soigneusement le filtre de la boîte et placez-le dans son emplacement permanent.
- Raccordez à la plomberie selon le besoin de votre installation. Scellez les joints filetés avec le ruban de téflon inclus ou un produit équivalent.
- Enlevez la soupape de purge d'air, le manomètre, le bouchon de 2 po NPT et le ruban de téflon de la trousse de quincaillerie. Entourez plusieurs fois les filets du manomètre avec du ruban de téflon, puis installez le manomètre dans le haut de la soupape de purge d'air; ne serrez pas excessivement. Entourez le bouchon de 2 po NPT plusieurs fois avec le ruban de téflon, et installez le bouchon dans la bonde d'évacuation du filtre. **Remarque:** La bonde d'évacuation et la bonde de la pompe sont interchangeables, si cette autre configuration convient mieux à l'installation.
- Installez la soupape de purge d'air et le manomètre dans le dessus du filtre; resserrez l'ensemble uniquement à la main. **Remarque:** Le ruban de téflon n'est pas requis pour ce raccord puisque le joint torique, d'un diamètre intérieur de 1/2 po, scelle le raccord. Assurez-vous que ce joint torique est installé sur la soupape de purge d'air avant de fixer la soupape au dessus du filtre.



- Enlevez le Ring-Lok et le dessus du réservoir.
- Enlevez le joint torique de 20 po (51 cm) de l'emballage scellé et installez-le dans la rainure située juste au-dessus du filetage, sur le fond du réservoir.
- Posez le dessus du réservoir sur le fond du réservoir et scellez le réservoir en pressant les collerettes ensemble avec vos mains.
- Posez le Ring-Lok sur le fond du réservoir.
- Resserrez le Ring-Lok au minimum d'un tour complet.

MISE EN MARCHÉ DU FILTRE

- Ouvrez la soupape de purge d'air.
- Mettez la pompe en marche.
- Fermez la soupape de purge d'air lorsqu'un flot continu d'air sort et notez la pression indiquée par le manomètre.

HIVÉRISATION DU FILTRE

Consultez votre détaillant pour obtenir des conseils relatifs à l'hivernisation de votre équipement, si votre région connaît des températures de gel en hiver. Le fait qu'il connaisse votre équipement en fait la source d'information la mieux qualifiée. Suivez les recommandations; si celles-ci réclament la vidange du filtre, ouvrez le purgeur d'air et enlevez le bouchon d'évacuation. Enlevez les éléments filtrants, nettoyez-les (voir la section sur le nettoyage des éléments) et entreposez-les dans un endroit sec, à l'abri de la lumière du soleil.

COMPOSITION CHIMIQUE DE L'EAU

Une utilisation correcte et constante de produits chimiques est nécessaire pour garder une eau propre et hygiénique, prévenir la propagation des germes et contrôler la croissance des algues qui peuvent gâcher l'allure de votre piscine ou spa, et le plaisir de s'y baigner. Il est également important que les taux d'acidité et d'alcalinité de l'eau de la piscine soient constants. C'est le pH de votre piscine; 7,0 est un pH neutre. Les résultats supérieurs à un pH de 7,0 sont alcalins et les résultats inférieurs sont acides. Le taux souhaité se situe entre 7,2 et 7,4.

ENTRETIEN DU FILTRE

Le réservoir et le contenu du filtre ne devraient pas demander d'entretien, dans la mesure où l'équilibre chimique de l'eau est constant sans ajout de quantités importantes de produits chimiques corrosifs. Le nettoyage de l'élément est recommandé lorsque le manomètre indique une pression de 6 à 8 psi plus élevée que la pression initiale.

Remarque: Le support de l'élément purge automatiquement tout air accumulé afin de maintenir le niveau d'eau interne en haut de la cartouche. Nous recommandons cependant d'ouvrir régulièrement le bouchon d'aération à la main pour purger toute quantité d'air accumulée sous le couvercle.

RETRAIT ET NETTOYAGE DE L'ÉLÉMENT FILTRANT

- Le nettoyage est requis lorsque le manomètre indique une pression de 6 à 8 psi plus élevée que la pression initiale lors de l'installation du filtre.
- Ouvrez la soupape de purge d'air.
- Enlevez le Ring-Lok.
- Séparez les deux moitiés du réservoir avec le Ring-Lok comme suit:
 - Repérez n'importe laquelle des quatre (4) dents carrées sur le dessous du Ring-Lok.
 - Insérez une des dents dans l'espace/la fente entre le dessus et le dessous du filtre. Faites simplement « rouler » le Ring-Lok et la dent soulèvera le couvercle du filtre jusqu'à ce que l'on puisse facilement le détacher du dessous.
- Enlevez le dessus du réservoir.
- Tirez les trois éléments hors des tubes de soutien internes et hors du corps du filtre.
- En général, les éléments filtrants sont nettoyés à l'aide d'une buse de projection montée sur un tuyau d'arrosage ou un bras flexible (disponible chez votre détaillant de piscines). Pour obtenir les meilleurs résultats, nettoyez d'abord à partir de l'intérieur. Nettoyez ensuite l'extérieur. Orientez le jet d'eau de biais sur l'élément filtrant. Les dépôts calcaires sont parfois si importants qu'il faut utiliser un produit de nettoyage. Les algues, les lotions solaires et les huiles corporelles peuvent également former une couche à la surface de l'élément, qui ne peut être éliminée à l'aide d'un simple jet d'eau. Dans ce cas, faites tremper l'élément dans une solution de nettoyant pour éléments de filtres, que vous pouvez vous procurer auprès de votre détaillant de piscines et de spas.
- Enlevez le grand joint torique en caoutchouc du fond du réservoir et nettoyez-le. Nettoyez le fond et le dessus du réservoir, là où le joint torique est situé. Lubrifiez le joint torique avec de la gelée de pétrole et réinstallez-le sur le fond du réservoir.
- Glissez l'élément propre sur les tubes de support, en vous assurant que le fond de l'élément est bien logé.
- Déposez le dessus du réservoir sur le fond du réservoir et fermez-le hermétiquement en pressant ensemble les deux moitiés du réservoir.
- Installez le Ring-Lok.
- Effectuez la procédure de MISE EN MARCHÉ DU FILTRE.

DÉPANNAGE

FUITES D'EAU DU RÉSERVOIR DU FILTRE

- Réservoir fendu en raison du gel, ou autre dommage. Remplacez-le.
- Joint torique du couvercle endommagé, tordu ou non lubrifié. Faites une inspection.
- Ring-Lok partiellement enclenché. Vérifiez et resserrez jusqu'à la butée « STOP » intégrée.
- Soupape de purge d'air lâche ou joint torique absent. Faites une inspection.
- Raccords d'aspiration ou de refoulement lâches ou non scellés. Faites une inspection.

DÉBRIS DANS LA PISCINE

- L'extrémité de la cartouche est fissurée. Faites une inspection et remplacez-la au besoin.
- L'élément filtrant est mal installé sur le tube de support. Faites une inspection.
- Trous dans la toile du filtre. Faites une inspection ou remplacez-la.

LE FILTRE NE PERMET PAS À L'EAU DE RESTER PROPRE

- Voir "DÉBRIS DANS LA PISCINE" section au-dessus.
- L'eau était sale à l'origine. Continuez à filtrer et nettoyez aussi souvent que nécessaire.
- Nombre trop élevé de baigneurs. Nettoyez le filtre aussi souvent que nécessaire. Règle des 10 PSI.
- Application mauvaise ou inadéquate des produits chimiques. Vérifiez avec votre détaillant de piscines local pour connaître la bonne utilisation des produits chimiques.

LA PRESSION DANS LE FILTRE NE DESCEND PAS APRÈS LE NETTOYAGE

- Élément filtrant encrassé. Nettoyez l'élément filtrant dans le nettoyeur du filtre ou remplacez-le.
- Robinet-vanne fermé dans la conduite de refoulement. Faites une inspection.
- Conduite de refoulement partiellement bloquée. Faites une inspection.
- Raccord de la conduite de refoulement bloqué. Faites une inspection.

LES EQUIPEMENTS DE PISCINE CARVIN INC.

Garantie limitée

Les Equipements de piscine Carvin Inc. ("Carvin") garantit que les produits de piscine « Carvin » sont exempts de tout défaut de fabrication et de main-d'œuvre pendant une période de 24 mois à compter de la date de l'achat. Les exceptions suivantes s'appliquent:

Ampoules: Les ampoules Aquarelle à DEL Full Moon sont garanties pendant 12 mois à compter de la date de l'achat; les ampoules halogènes sont garanties pendant 90 jours à compter de la date de l'achat.

Divers: Les cartouches filtrantes, les grilles pour terre diatomée, les produits de recirculation (white goods), les paniers protège-crêpine, le clapet et le tube d'amorçage du panier protège-crêpine, les manomètres, les joints d'étanchéité carrés, les joints toriques, les joints d'étanchéité et toutes les pièces de rechange sont garanties pendant 12 mois à compter de la date de l'achat.

CONDITIONS D'EXERCICE DE LA GARANTIE:

Afin que cette garantie de 24 mois entre en vigueur, les produits « Carvin » doivent être enregistrés auprès de « Carvin » par le biais de l'une des méthodes suivantes:

- en retournant par la poste la fiche de garantie;
- en ligne, au www.carvinpool.com

Toute défectuosité doit être dénoncée à Carvin, ou à son représentant local dans les 72 heures pour éviter le bris d'autres équipements, faute de quoi, la garantie ne sera pas honorée. Cette garantie est non transférable et ne s'applique qu'au premier acheteur au détail, et seulement pendant la période où le premier acheteur au détail occupe l'endroit où le produit a été installé initialement. L'obligation de garantie de « Carvin » concernant l'équipement que l'entreprise ne fabrique pas elle-même est limitée à la garantie offerte à « Carvin » par ses fournisseurs (i.e. moteurs).

Cette garantie ne s'applique qu'aux produits utilisés pour les piscines, les spas et l'aquaculture, et ne s'applique pas aux produits qui ont subi des modifications, un accident, une mauvaise utilisation, une utilisation négligente, une utilisation abusive, une installation incorrecte, des applications d'abrasifs, de la corrosion, une tension incorrecte, du vandalisme, des troubles publics ou une catastrophe naturelle (y compris, notamment, les dommages causés par le gel, la foudre, et tout autre dommage causé par des catastrophes naturelles). Les seules garanties autorisées par « Carvin » sont énoncées dans la présente section. « Carvin » n'autorise aucune autre personne à garantir ses produits, et l'entreprise n'assumera aucune responsabilité face à toute garantie non autorisée faite relativement à la vente de ses produits. « Carvin » ne sera pas tenue responsable de toute déclaration faite ou publiée, écrite ou verbale, qui serait trompeuse ou incompatible avec les faits publiés dans la documentation ou les spécifications fournies par « Carvin ».

PROCÉDURE DE RÉCLAMATION EN VERTU DE LA GARANTIE

Les réclamations en vertu de la garantie seront faites en communiquant avec l'installateur/le vendeur, le constructeur, le revendeur ou le détaillant (point de vente) ou avec le distributeur « Carvin » de votre région. Tout équipement doit être inspecté par un représentant autorisé local de « Carvin » ou à l'usine avant l'autorisation de la garantie. Tous les frais ou toutes les dépenses d'expédition en partance de l'usine ou en direction de celle-ci, pour la désinstallation et la réinstallation des produits, ou pour l'installation d'un produit de remplacement, seront de la responsabilité de l'acheteur, sauf sur autorisation écrite de « Carvin ». À sa discrétion, « Carvin » peut réparer ou remplacer sans frais (F.O.B. usine à St-Hyacinthe, Qc, Canada) tout produit qui s'avère défectueux pendant la période de la garantie, ou elle peut émettre un crédit au montant de la facture de l'équipement défectueux au lieu de réparer ou de remplacer le produit. La société se réserve le droit de substituer de l'équipement nouveau ou amélioré lors de tout remplacement.

PIÈCES POUR MODÈLES TRI-C.L.O.P.S. FILTRE À ÉLÉMENT TC330-MB, TC440-MB ET TC550-MB

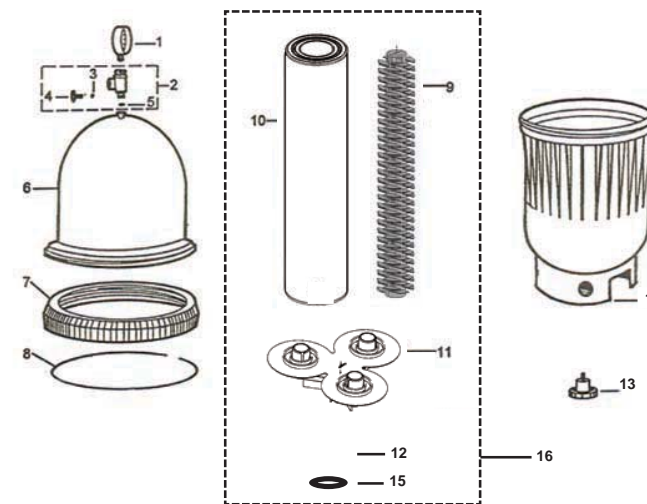


FIG. N°	PIÈCE N°	DESCRIPTION
1	9193-4158-R	Manomètre 0-60#
2	42-2972-00-R	Purge d'air en T en PVC 1/4 (l'ensemble comprend les N°s 3, 4 et 5)
3	47-0106-08-R	Joint torique 3/16 x 3/8 x 3/32 BN
4	39-2547-01-R	Poignée pour vanne de purge d'air - Poly
5	47-0112-00-R	Joint torique 1/2 x 11/16 x 3/32 BN
6	42-2930-01-R	Haut TC 330 pi²
	42-2931-00-R	Haut TC 440 pi²
	42-2932-09-R	Haut TC 550 pi²
7	42-2935-06-R	Écrou pour filtre TC 11372 Alum.
8	47-0569-99-R	Joint torique en nitrile pour TC 20 x 21 x 1/2 po"
9	42-3799-20-R	Assemblage du support de la conduite pour TC330-MB (3 par unité)
	42-3799-21-R	Assemblage du support de la conduite pour TC440-MB (3 par unité)
	42-3799-22-R	Assemblage du support de la conduite pour TC550-MB (3 par unité)
10	42-3799-23-R	Élément de 110 pi² pour TC330-MB (3 par unité)
	42-3799-24-R	Élément de 147 pi² pour TC440-MB (3 par unité)
	42-3799-25-R	Élément de 183 pi² pour TC550-MB (3 par unité)
11	42-3799-10-R	Collecteur pour élément TC
12	47-0212-66-R	Joint torique 0,986 x 1,276 x 0,145 BN
13	42-3653-04-R	Vis de serrage pour collecteur TC avec rondelle
14	42-2934-07-R	Bas TC 11371
15	47-0228-68-R	Joint torique 2 1/4 x 2 1/2 x 1/8 BN
16	42-3702-10-K	TC330-MB Trousse Interne (comprend les n°s 9 (3 par unité), 10 (3 par unité), 11, 15 et 12)
	42-3702-15-K	TC440-MB Trousse Interne (comprend les n°s 9 (3 par unité), 10 (3 par unité), 11, 15 et 12)
	42-3702-20-K	TC550-MB Trousse Interne (comprend les n°s 9 (3 par unité), 10 (3 par unité), 11, 15 et 12)

TEST DE BAISSÉ DE PRESSION TRI-C.L.O.P.S. ROND

